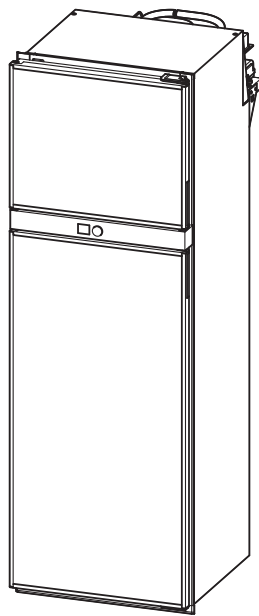


↗ DOMETIC

REFRIGERATION

RUC SERIES



RUC8408X

EN

Compressor refrigerator

Installation and Operating Manual

Please read this instruction manual carefully before installation and first use, and store it in a safe place. If you pass on the product to another person, hand over this instruction manual along with it.

Table of contents

1	Explanation of symbols	4
2	Safety instructions	4
3	Scope of delivery	7
4	Accessories	7
5	Intended use	7
6	Technical description	8
7	Installing the refrigerator	10
8	Connecting the refrigerator	21
9	Using the refrigerator	23
10	Cleaning and maintenance	46
11	Troubleshooting	46
12	Warranty	52
13	Disposal	52
14	Technical data	53

1 Explanation of symbols

**DANGER!**

Safety instruction: Failure to observe this instruction will cause fatal or serious injury.

**WARNING!**

Safety instruction: Failure to observe this instruction can cause fatal or serious injury.

**CAUTION!**

Safety instruction: Failure to observe this instruction can lead to injury.

**NOTICE!**

Failure to observe this instruction can cause material damage and impair the function of the product.

**NOTE**

Supplementary information for operating the product.

2 Safety instructions

The manufacturer accepts no liability for damage in the following cases:

- Faulty assembly or connection
- Damage to the product resulting from mechanical influences and excess voltage
- Alterations to the product without express permission from the manufacturer
- Use for purposes other than those described in the operating manual

2.1 General safety

**DANGER!**

- On boats: If the device is powered by the mains, ensure that the power supply has a residual current circuit breaker.

**WARNING!**

- Have a qualified technician perform the installation in wet rooms.
- Do not operate the device if it is visibly damaged.

- If this device's power cable is damaged, it must be replaced by the manufacturer, customer service or a similarly qualified person in order to prevent safety hazards.
- This device may only be repaired by qualified personnel. Inadequate repairs may cause serious hazards.
- This device can be used by children aged 8 years or over, as well as by persons with diminished physical, sensory or mental capacities or a lack of experience and knowledge, providing they are supervised, or have been taught how to use the device safely and are aware of the resulting risks.
- Cleaning and user maintenance must not be carried out by children without supervision.
- Children must be supervised to ensure that they do not play with the device.
- Always keep and use the device out of the reach of children under 8 years of age.
- Do not store any explosive substances, such as spray cans with propellants, in the device.

**CAUTION!**

- Danger of crushing! Do not put your fingers into the hinge.
- Foodstuff may only be stored in its original packaging or in suitable containers.

**NOTICE!**

- Check that the voltage specification on the type plate is the same as that of the power supply.
- Never pull the plug out of the socket by the connection cable.
- The refrigerator is not suitable for storing substances which are caustic or contain solvents.
- Keep the drainage outlet clean at all times.
- Do not open the refrigerant circuit under any circumstances.
- Never transport the device in a horizontal position, so that lubricating oil does not drain from the compressor into the pipes.

- Make sure that the refrigerator circuit is not damaged during transportation. The refrigerant in the refrigerator circuit has a low potential to become flammable.
In the event of any damage to the refrigerator circuit:
 - Avoid naked flames and sparks.
 - Air the room well.
- Set up the device in a dry location where it is protected against splashing water.

2.2 Operating the device safely



DANGER!

- Do not touch exposed cables with your bare hands. This applies especially when operating the device from the AC mains.



CAUTION!

- Before starting the device, ensure that the power supply line and the plug are dry.
- If you connect the device to a battery, make sure that no food comes into contact with the battery acid.



NOTICE!

- Do not use electrical devices inside the cooling device unless they are recommended by the manufacturer for that purpose.
- Do not place it near naked flames or other heat sources (heaters, direct sunlight, gas ovens etc.)
- **Danger of overheating!**
Always ensure sufficient ventilation so that the heat generated during operation can dissipate. Make sure that the device is sufficiently far away from walls and other objects so that the air can circulate.
- Ensure that the ventilation vents are not covered.
- Do not fill the device with ice or fluid.
- Never immerse the appliance in water.
- Protect the appliance and the cable against heat and moisture.
- Make sure that foodstuffs do not touch the walls of the cooling area.

3 Scope of delivery

Quantity	Description
1	Refrigerator
1	Drain hose
1	Bottom trim piece
1	Installation and Operating Manual

4 Accessories

Available as accessories (not included in the scope of delivery):

Description

LS300 ventilation grille (W x H: 490 x 249 mm, open ventilation area 667 cm²)

Accessories are available from specialist dealers. If you have any questions, please contact the dealer or your service partner directly.

5 Intended use

The refrigerator is suitable for refrigerating foodstuffs and storing frozen foodstuffs. The device is suitable for installation into caravans, motorhomes or boats. The device is designed to be operated from a 12 V DC or 24 V DC on-board supply as well as from a 100 – 240 V AC mains.



CAUTION! Health hazard!

Please check if the cooling capacity of the refrigerator is suitable for storing the food you wish to cool.

The refrigerator is only suitable for installation in a fitted cavity. Once it is installed, only the front of the appliance may be accessible.

6 Technical description

6.1 Description

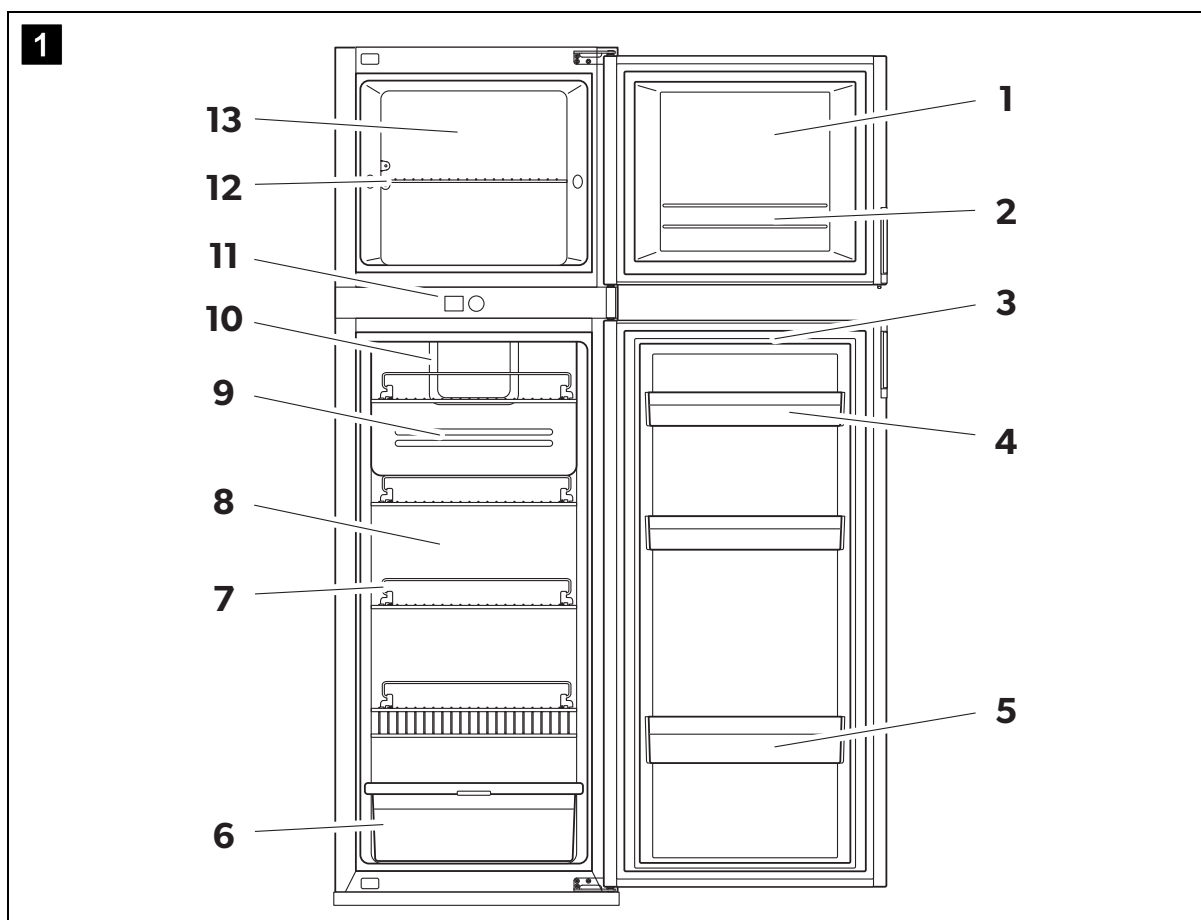
The device can refrigerate goods to +8 °C to 0 °C and keep them cool. Products can be frozen to -10 °C to -20 °C in the freezer compartment. You can use the control display to set the desired temperature.

The refrigerator is suitable for use with 12 V or 24 V DC voltage and can therefore be used e.g. for mobile homes, caravans or on boats. It can also be connected to a 100 – 240 V mains supply.

The refrigerator can withstand a short term inclination of 30°, for example on boats.

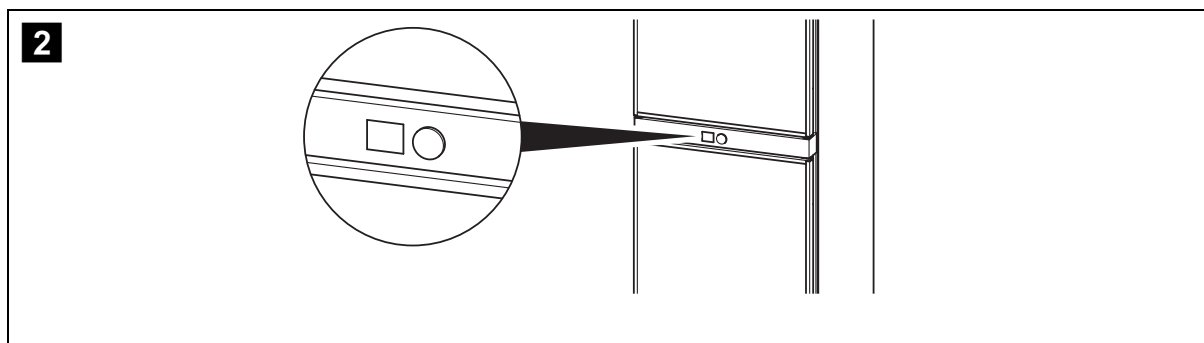
All materials used in the refrigerator are compatible for use with foodstuffs. The refrigerant circuit is hermetically sealed and CFC-free.

6.2 Components



No. in fig. 1	Description
1	Freezer compartment door
2	Freezer door rack
3	Refrigerator door
4	Top door bin
5	Bottom door bin with bottle holder
6	Fruit and vegetable section
7	Refrigerator shelf
8	Refrigerator compartment
9	Air duct cover plate
10	Internal light
11	Control and display
12	Freezer shelf
13	Freezer compartment

6.3 Control and display



The refrigerator has a display and a control knob between the refrigerator and freezer doors (fig. **2**).

Function of the control knob (fig. **2**):

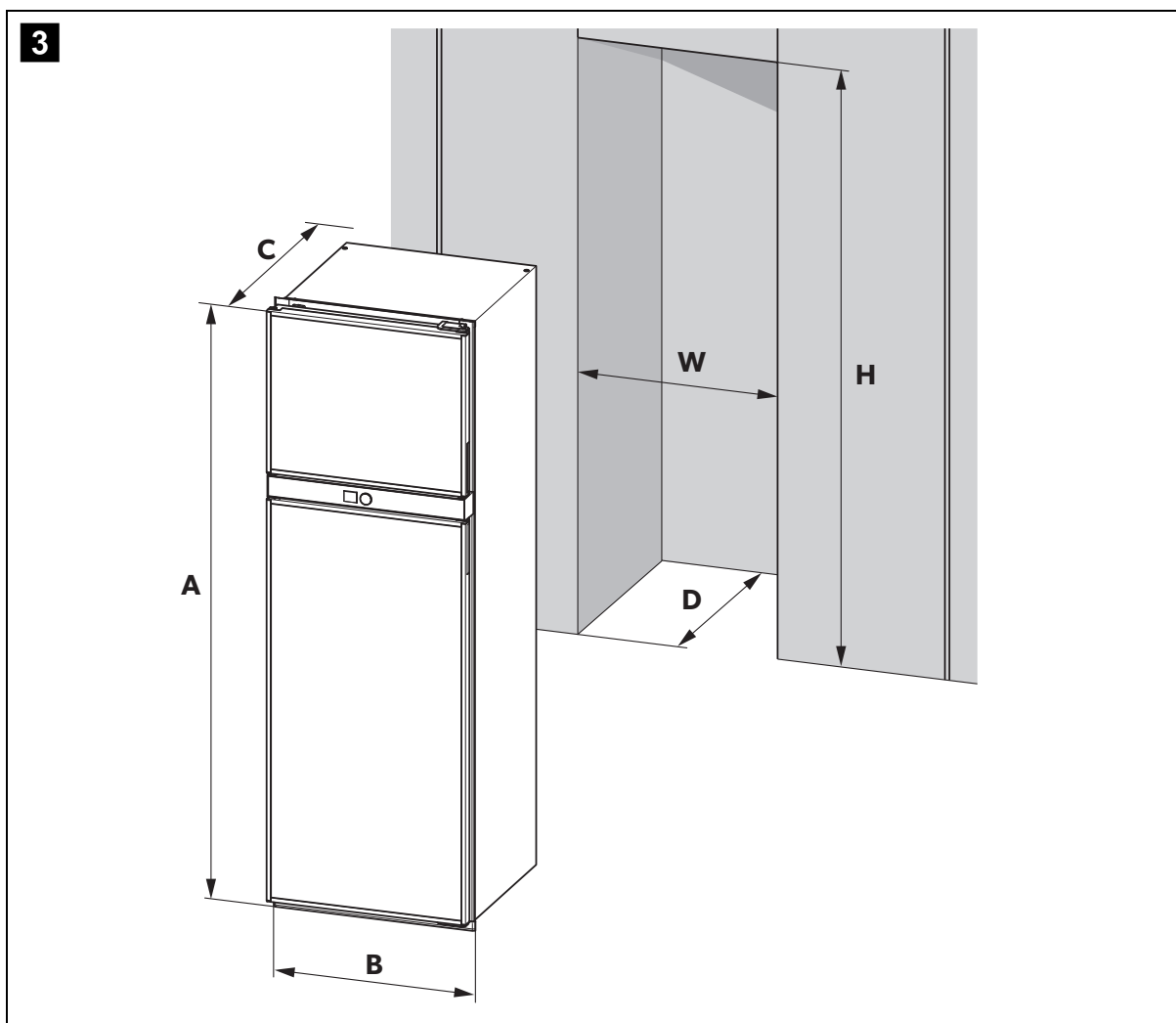
- Rotate: Choose menu item. The selected menu item is highlighted.
- Short press: Confirm
- Press for 2 to 4 seconds: Acknowledge fault (chapter "Troubleshooting" on page 46)

7 Installing the refrigerator

7.1 Preparing the installation

When installing the refrigerator, note the following:

- Ensure that the floor is solid and level.
- Ensure that the refrigerator is level.
- The refrigerator must be installed so that it is easily accessible for service work, easy to de-install and install and can be easily removed from the vehicle.



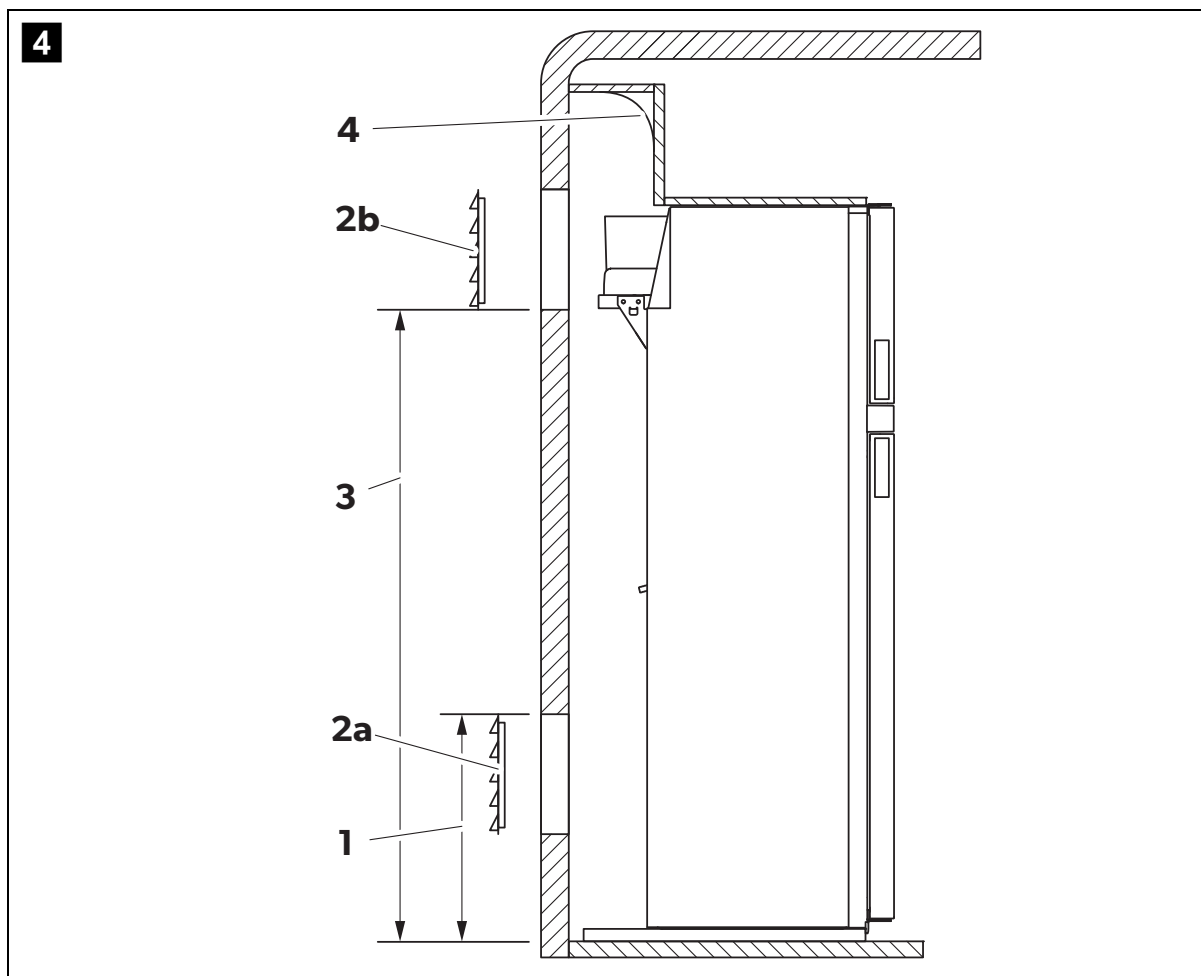
- The refrigerator must be installed in a recess so that it stands secure when the vehicle is in motion. Note the following dimensions (fig. 3):

Refrigerator	Overall dimension in mm
Height (A)	1657
Width (B)	550
Depth (C)	677 (includes control knob 5mm)

Recess	Dimension in mm
Height (H)	1647 – 1652
Width (W)	530 – 535
Depth (D)	min. 611

Installation with two rear vents

- The air inlet and outlet vents must not be covered by vehicle parts (such as an open door or by installing accessories such as bicycle racks) while operating.
- Install the refrigerator so that it is protected from excessive heat, as this leads to poor performance and increases the power consumption of the refrigerator.
- The electrical installation must comply with national and local regulations.



**Pos. in
fig. 4,
page 12**

Description

1 Maximum height to 300 mm below the compressor shelf

2 LS300 vent

3 Minimum height is equal to the height of the compressor shelf

4 Air deflection plate

- The outer wall must be fitted with one air inlet ventilation grille (fig. 4 2a, page 12) and one outlet ventilation grille (fig. 4 2b, page 12) so that the heat generated can be easily released to the outside:
 - Lower air inlet vent LS300 can be installed from flush to the vehicle floor up to a maximum height (top of vent) of 300 mm below the compressor shelf.
 - Upper air outlet vent LS300 must be installed with the bottom of the vent no lower than the compressor shelf. Higher than the compressor shelf is allowed, but for optimum service access as close as possible to the compressor shelf height is recommended.

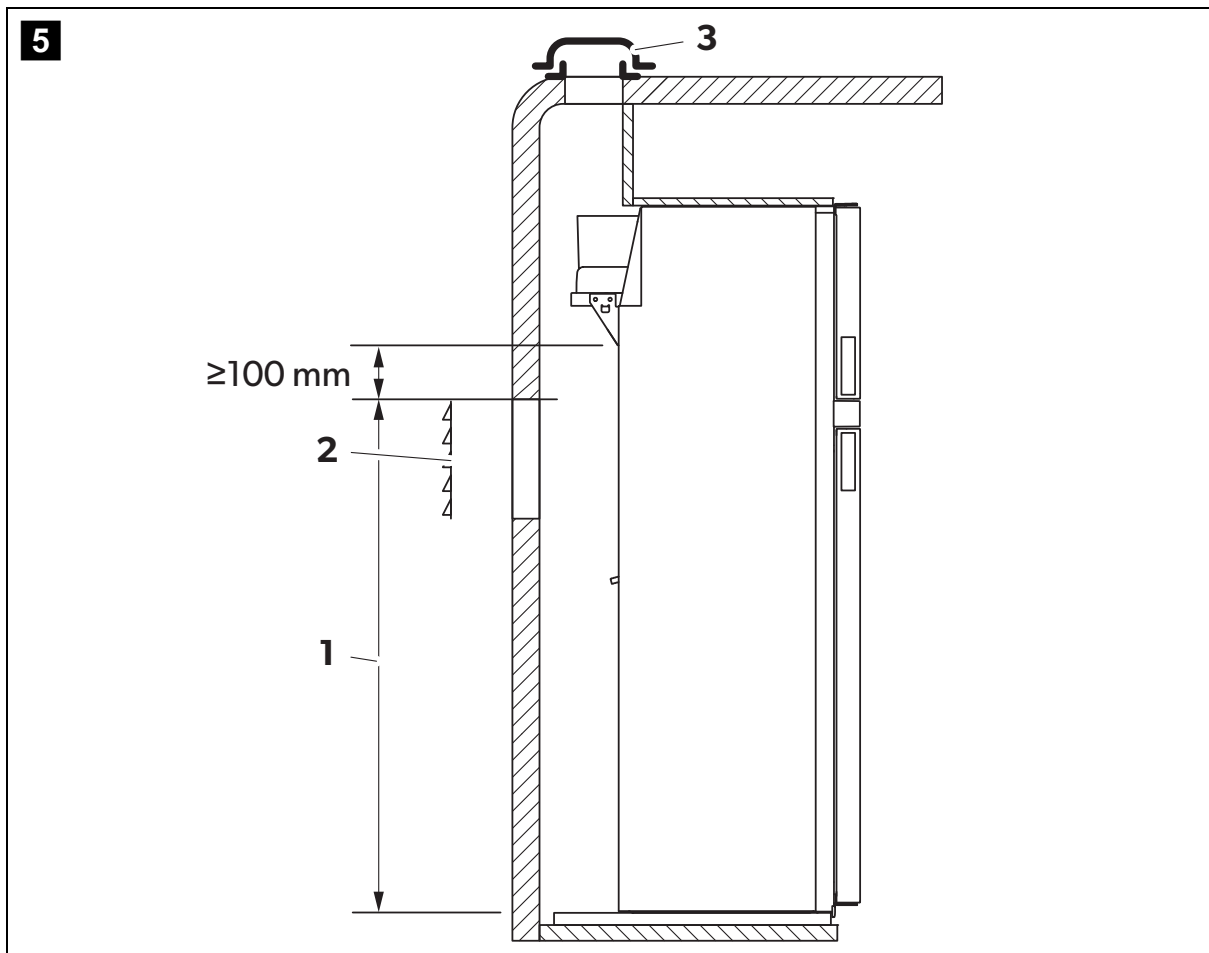
- Fit an air deflection plate (fig. 4 4, page 12) above the compressor so that the heat does not accumulate in the vehicle.

Installation with one lower rear vent and one roof vent



NOTE

This installation method is satisfactory for refrigerator performance, but not the preferred method due to lack of service access to the compressor shelf area.



Pos. in
fig. 4,
page 12

Description

1	Maximum height is equal to 100 mm below the compressor shelf
2	LS300 vent
3	Roof vent

- A roof vent may be installed instead of the air outlet vent.
 - The roof vent should be installed directly above the back of the refrigerator as far as this is possible. Use an air duct if you need to install the roof vent (fig. **5** 3) offset, otherwise heat will accumulate there.

7.2 Installing the refrigerator in a sealed location separate to the living space

It is recommended to install the refrigerator in a sealed location in order to prevent dust and heat from entering the living space of the caravan or motorhome.

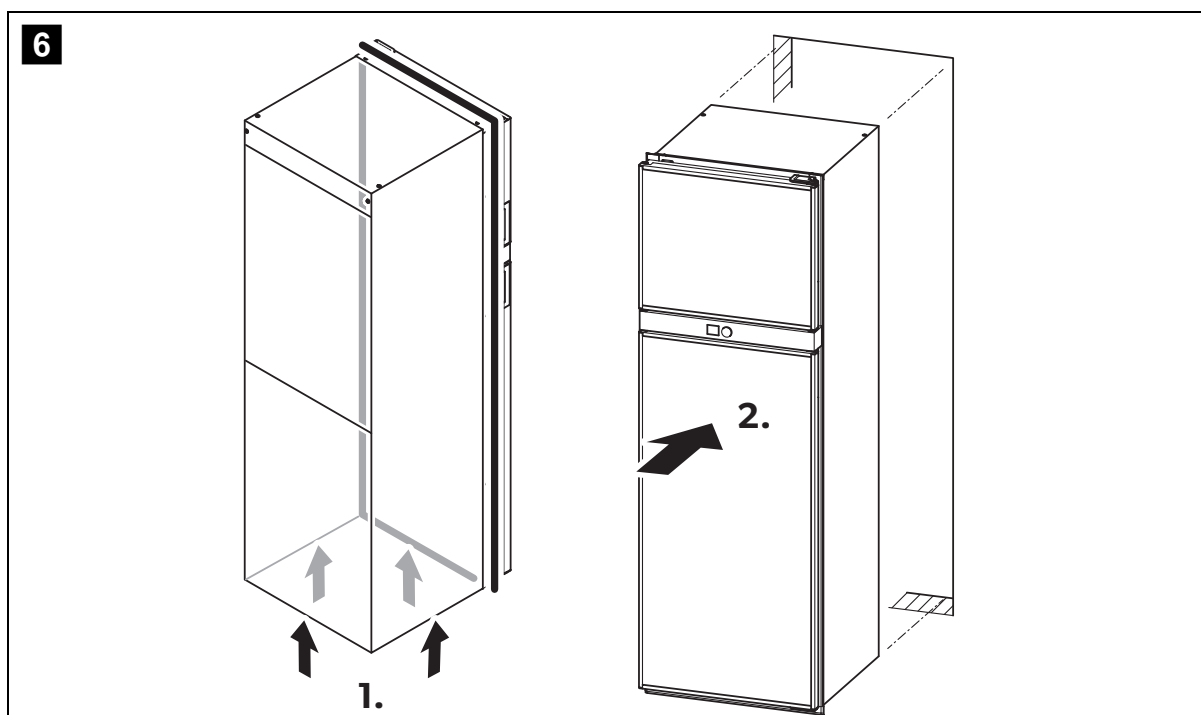
A suitable seal must be provided and fitted to the bottom surface of the refrigerator. The purpose is to provide a seal between the interior of the vehicle and the cooling unit and ventilation area behind the refrigerator.



WARNING! Fire hazard!

Do not use flammable materials such as silicone sealants, foam or similar for the draught-proof installation.

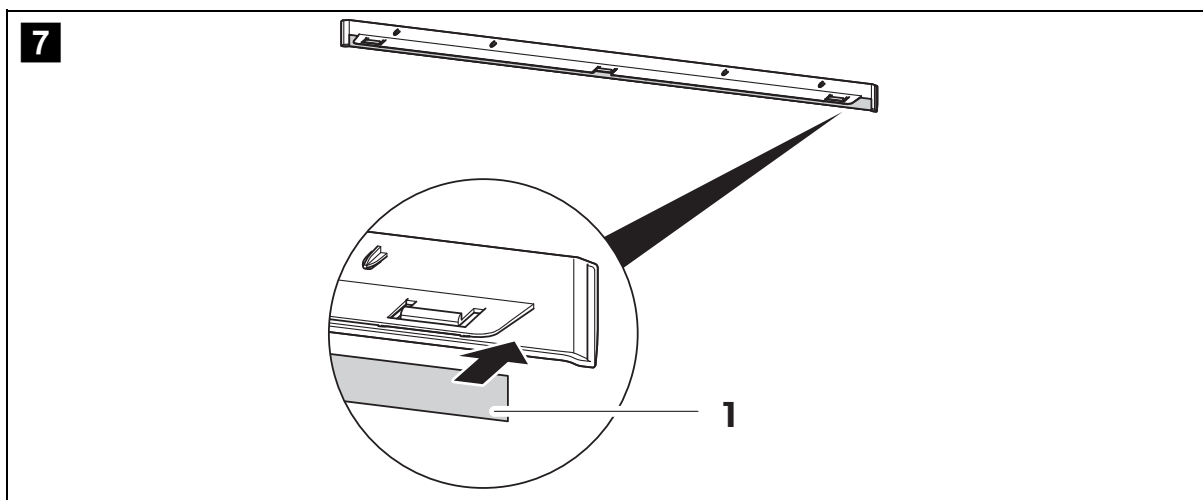
The manufacturer has applied a sealing strip to the rear surface of the front frame.



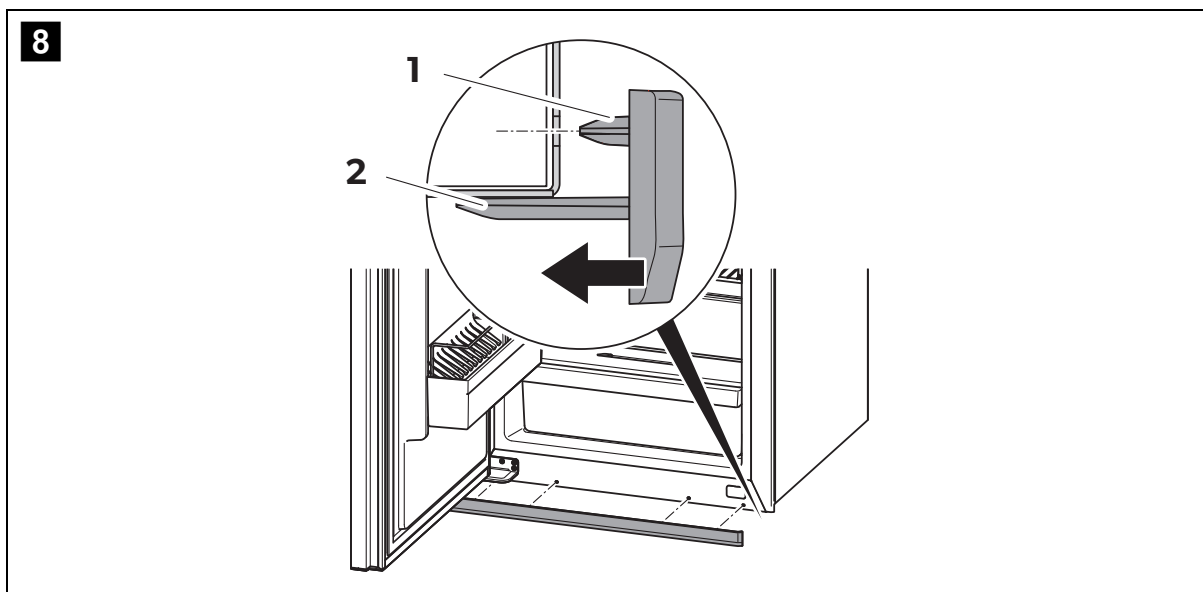
- Apply a sealing strip to all four sides of the bottom surface of the refrigerator (**1.** in fig. **6**).
- Push the refrigerator into position (**2.** in fig. **6**). This then seals the space behind the refrigerator to the interior of the vehicle.

OPTIONAL:

- If the refrigerator stands on a platform, install the bottom trim piece in order to seal the space between the refrigerator and the platform.



- Apply a sealing strip (fig. **7** 1) to the lower surface of the bottom trim piece.

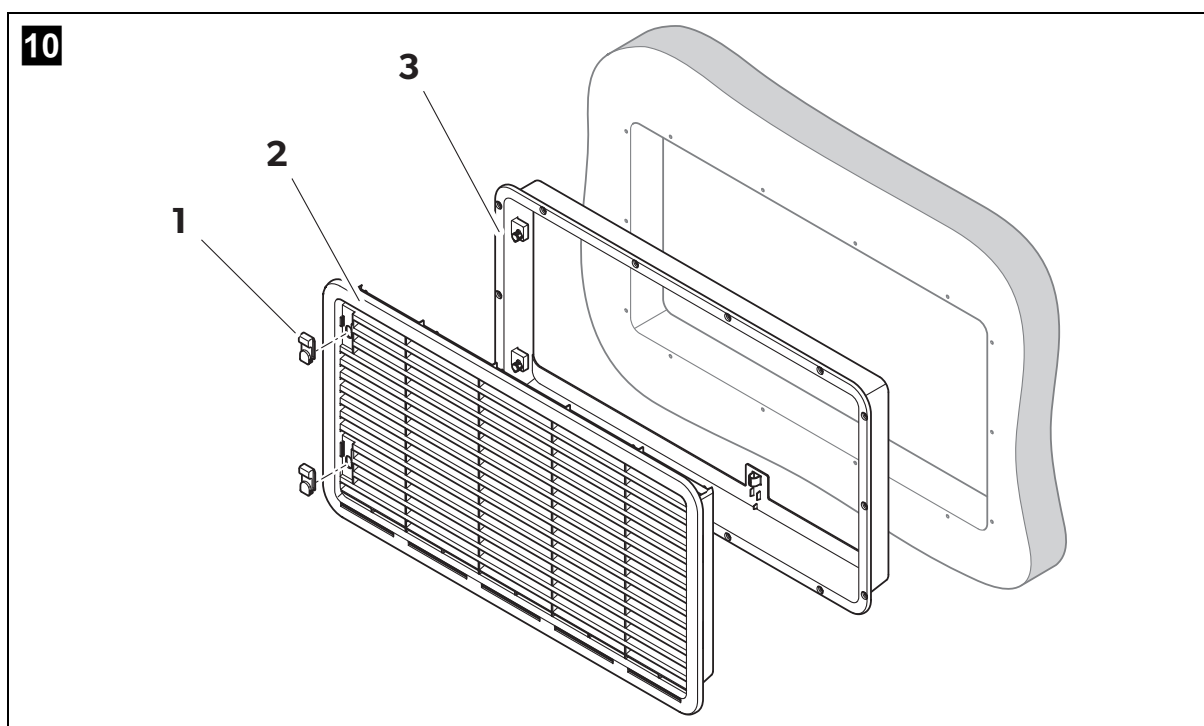


- Push the bottom trim piece with the four plugs (fig. **8** 1) into the holes on the front frame of the refrigerator.
- Snap the three catches (fig. **8** 2) into the holes under the bottom frame of the refrigerator.

7.3 Installing the drain water hose

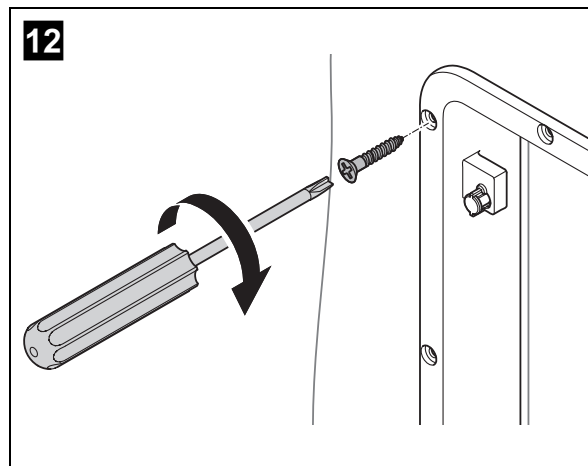
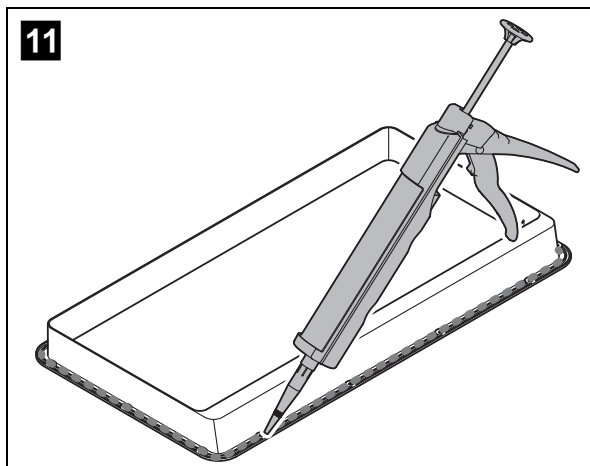
- To avoid damage to the drain water hose, position the hole for the drain water hose in a way that the hose does not kink.
- Drill a hole through the floor at the rear of the refrigerator.
- Install the drain water hose through the drilled hole. Ensure, that the drain water hose is long enough in order to drain the water outside of the vehicle.
- Ensure that the drain water hose is not kinked.
- Seal the area around the drain water hose.

7.4 Installing the ventilation grille

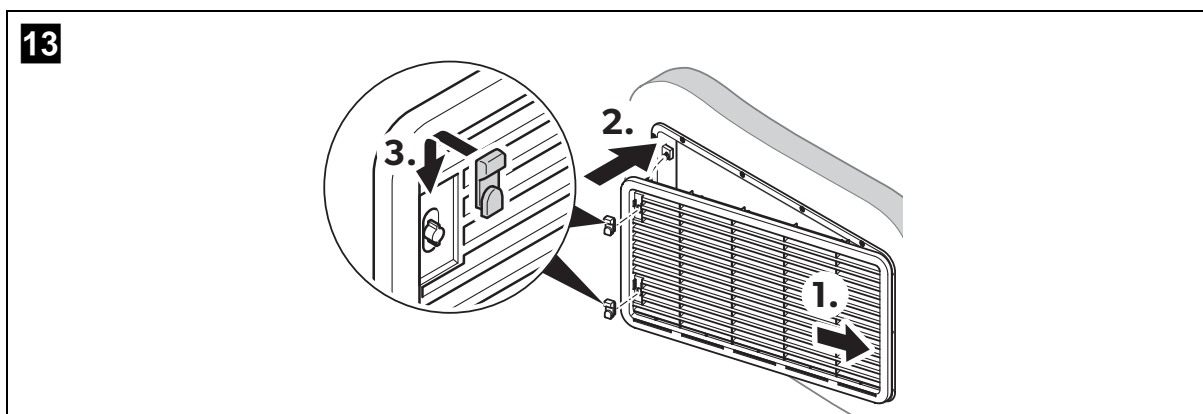


No. in fig. 10	Description
1	Slider
2	Ventilation grille
3	Installation frame

- Make a cut out in the wall to fit an appropriate upper and lower vent system, choose LS300 check the dimensions required for the vent. See chapter "Preparing the installation" on page 10.

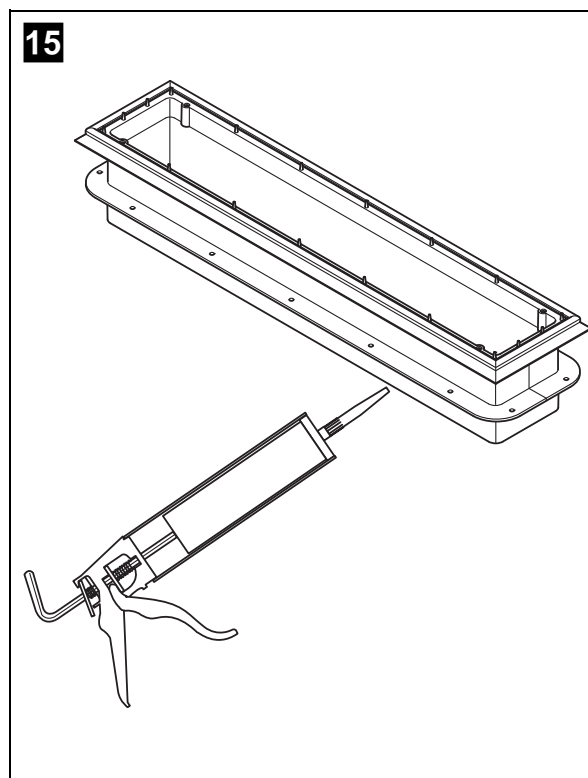
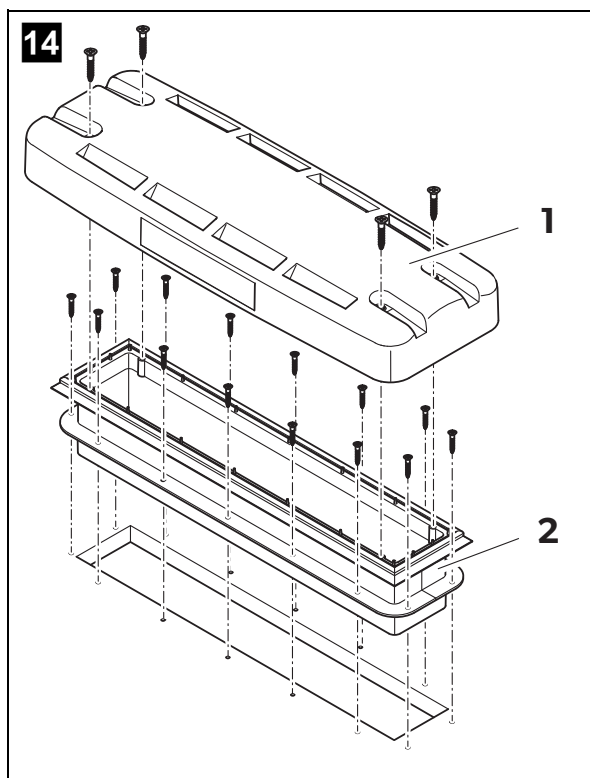


- Ensure the installation frame is water resistant (fig. **11**).
- Insert the installation frame and screw it down tightly (fig. **12**). Use all the fixing holes for this.



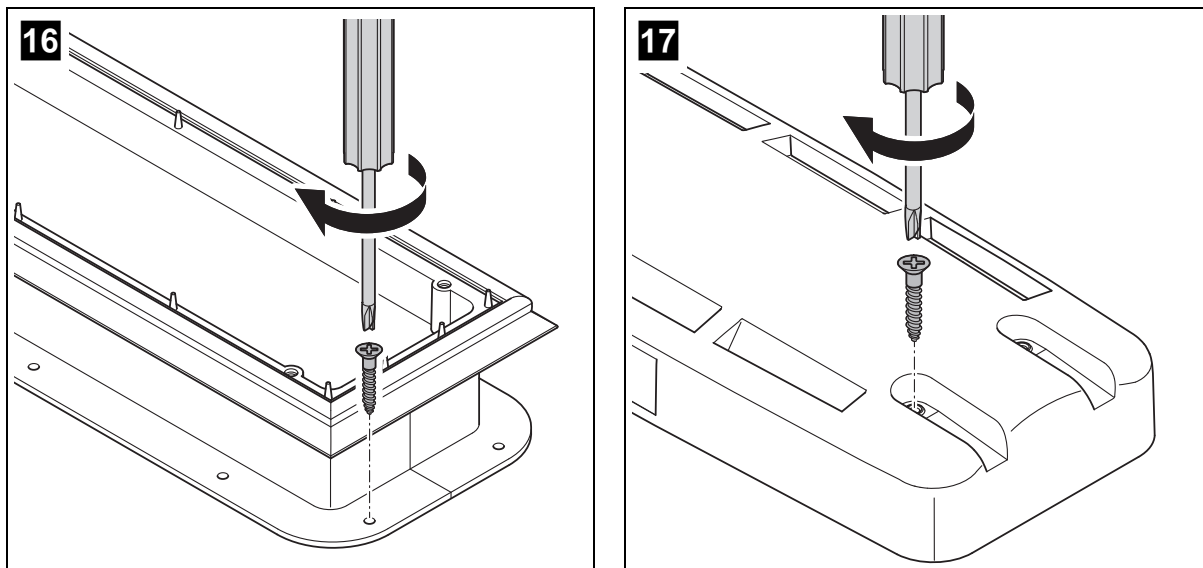
- Fit the ventilation grille (**1.** and **2.** in fig. **13**).
- Insert the slider and lock the ventilation grille with it (**3.** in fig. **13**).

7.5 Install the roof vent



No. in fig. 14	Description
1	Hood
2	Installation frame

- Cut out a section in the roof. Refer to the roof vent instruction manual for the required dimensions. When doing so, observe the information, see chapter "Preparing the installation" on page 10.
- Ensure the installation frame is water resistant (fig. **15**).



- Insert the installation frame and screw it down tightly (fig. **16**). Use all the fixing holes for this.
- Insert the hood and screw it down tightly (fig. **17**).

7.6 Securing the refrigerator



CAUTION!

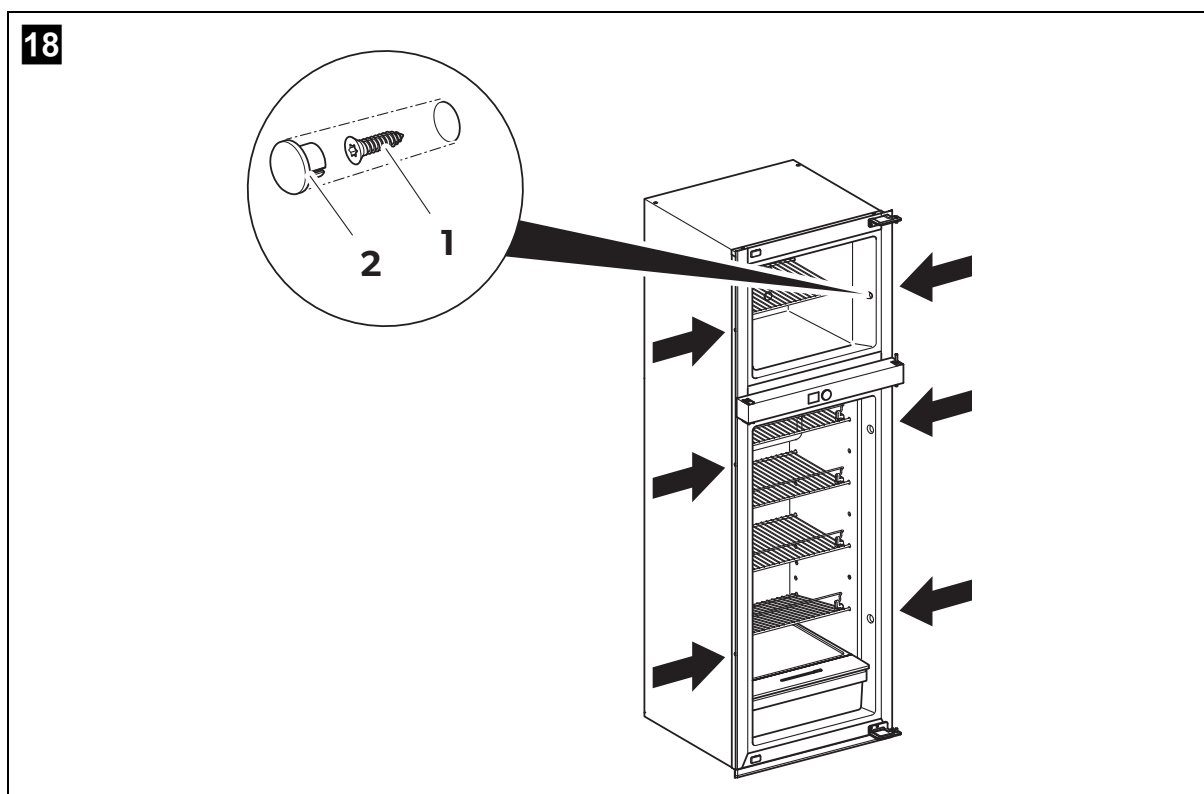
Only screw through the bushes built into the refrigerator, otherwise foamed components, including electrical wiring, can be damaged.



NOTE

Ensure that the screws are tight, even when under increased loads (while driving).

- Push the refrigerator firmly into its final location with the front flange sitting hard against the recess front.



- Push the six screws (fig. **18** 1) through the six plastic bushes in the sides of the refrigerator, and fasten into the recess walls.
- Fit the caps (fig. **18** 2) into the bushes.

8 Connecting the refrigerator

8.1 Connecting the refrigerator to 12 – 24 V



NOTICE!

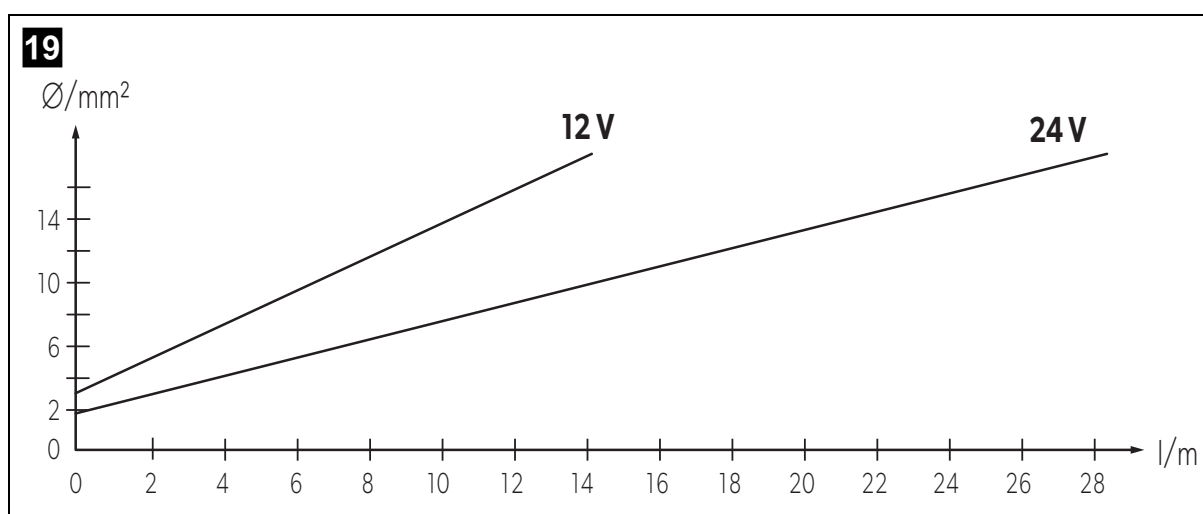
- To avoid voltage drops and loss of performance, keep the connection cable as short as possible and uninterrupted. Therefore avoid additional switches, plugs or power strips.
- Disconnect the cooling device and other electric consumers from the battery before you connect the battery to a quick charging device.
Overvoltage can damage the electronics of the device.

The refrigerator can be operated with a 12 V or 24 V DC voltage supply.

For safety reasons, the refrigerator is equipped with an electronic system to prevent the polarity being reversed. This protects the refrigerator against reversed polarity when connecting to a battery and against short circuiting.

To protect the battery, the refrigerator switches off automatically if the voltage is insufficient (see table below).

	12 V	24 V
Cut-off voltage	10.4 V	22.8 V
Cut-in voltage	11.7 V	24.2 V



- Determine the required cross section of the cable in relation to the cable length according to the figure above.

Key to the figure

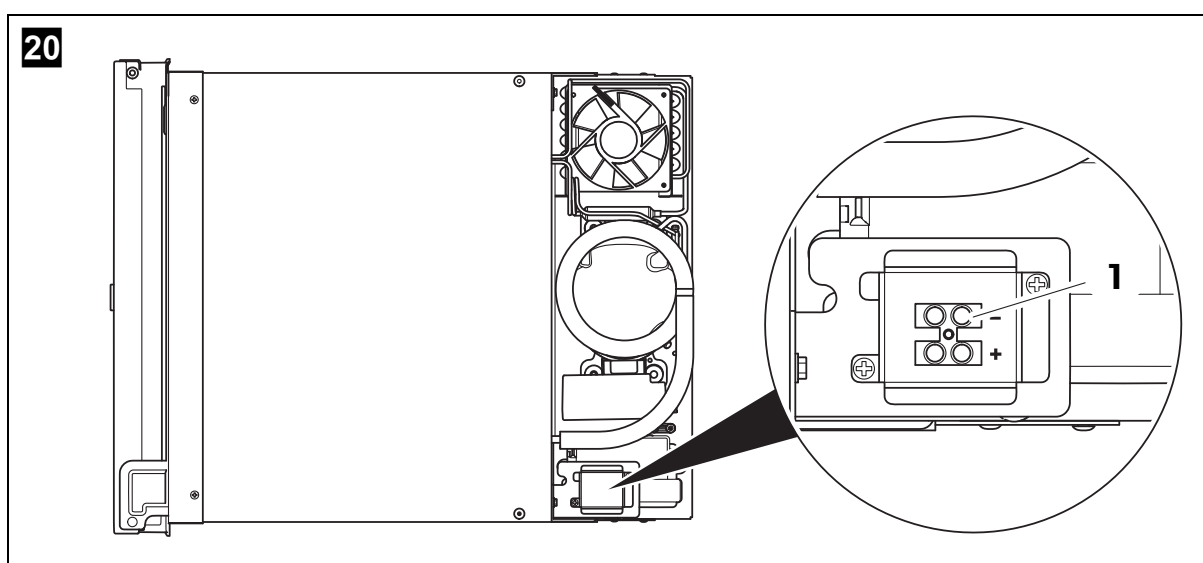
Coordinate axis	Meaning	Unit
l	Cable length	m
∅	Cable cross section	mm ²



NOTICE!

Make sure the polarity is correct.

- Before starting up the device for the first time, check whether the operating voltage and the battery voltage match (see type plate).



- Connect the cable to the refrigerator DC terminal block (1).
- Connect the refrigerator
 - as directly as possible to the poles of the battery
 - with fuse protection fitted to the side of the supply cable and the positive vehicle wire of 15 A (at 12 V) or 7.5 A (at 24 V).

8.2 Connecting the refrigerator to AC mains



DANGER! Danger of fatal injury!

- Never handle plugs and switches with wet hands or if you are standing on a wet surface.
- If you are operating your refrigerator on a boat with an AC mains connection using a shore connection, you must install a residual current circuit breaker between the AC mains and the refrigerator. Seek advice from a trained technician.

Proceed as follows when you connect the refrigerator to the AC mains:

- Plug the connector into the AC socket.

9 Using the refrigerator



NOTICE!

- Make sure that you only put items in the refrigerator which may be kept at the selected temperature.
- Make sure that items in the refrigerator do not block the openings of the cooling ventilation areas in the main compartment
- Foodstuff may only be stored in its original packaging or in suitable containers.

**NOTE**

- Before starting your new refrigerator for the first time, you should clean it inside and outside with a damp cloth for hygienic reasons.
- The cooling performance can be affected by:
 - the ambient temperature (e.g. when the vehicle is exposed to direct sunlight)
 - the amount of food to be conserved
 - how often you open the door
- When using the refrigerator for the first time, there may be a mild odour which will disappear after a few hours. Air the living space well.
- Park the vehicle so that it is level, especially when starting up and filling the refrigerator before setting off on a journey.
- Battery management systems switch off the power supply to the refrigerator as soon as the vehicle engine is switched off for longer than 30 minutes. The refrigerator requires a constant DC power supply to operate. If your vehicle has a battery management system, deactivate it.

9.1 Tips for using the refrigerator optimally

When the temperature in the interior of the refrigerator exceeds +4 °C, the shelf life of goods that spoil quickly cannot be guaranteed. To attain an optimal cooling capacity in the interior of the refrigerator, observe the following information:

- Protect the interior of the vehicle from warming up excessively (e.g. sunshades in the windows, air conditioner).
- Protect the refrigerator from direct sunlight (e.g. sunshades in the windows).
- Voltage fluctuations can have a negative effective on the cooling capacity. Check the temperature in the interior of the refrigerator regularly
 - when using DC current during the journey
 - when using AC current at the site of use

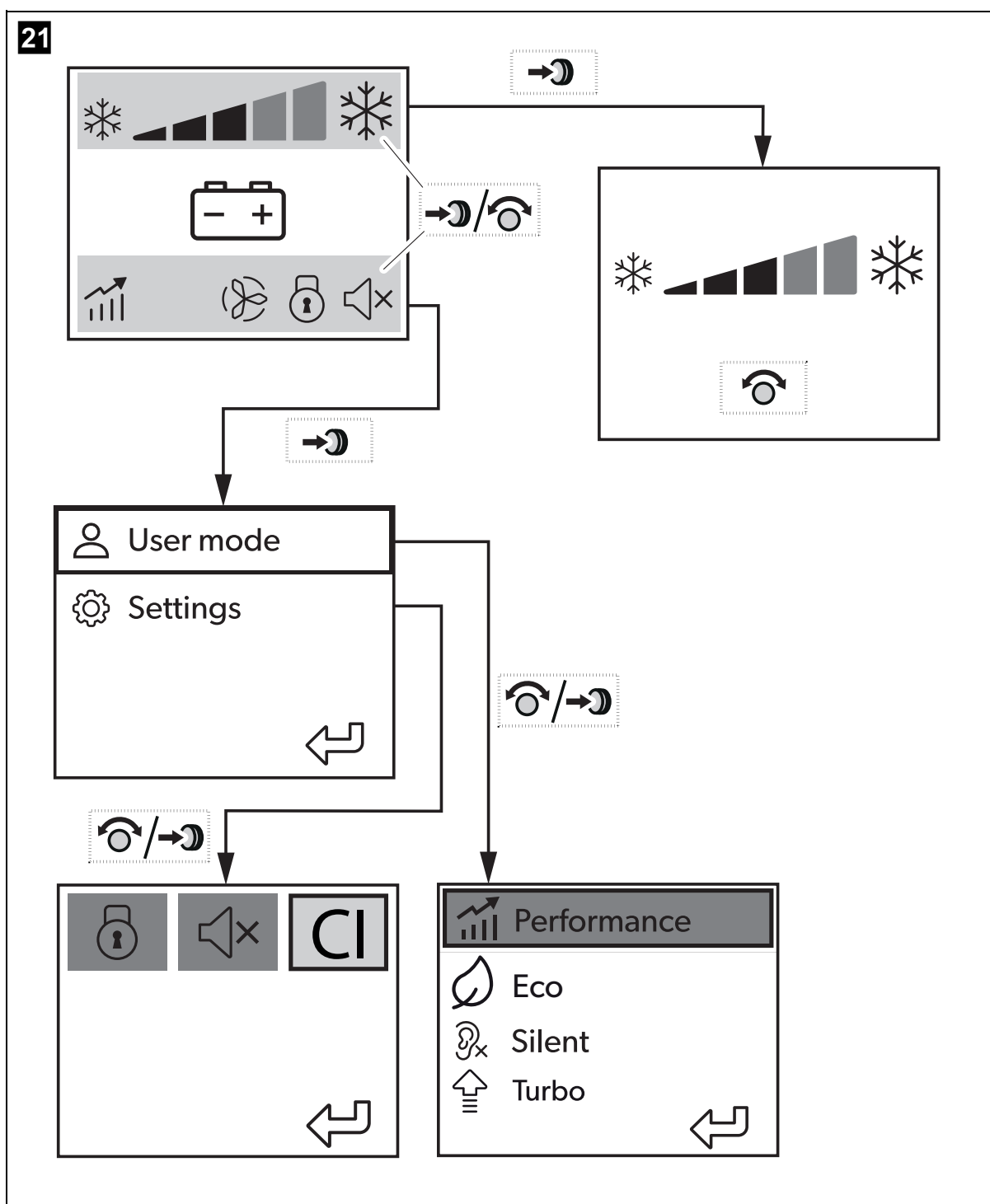
9.2 Energy saving tips

- Choose a well ventilated location which is protected from direct sunlight.
- Allow warm food to cool down first before keeping it cool in the refrigerator.
- Do not open the refrigerator more often than necessary.
- Do not leave the doors open for longer than necessary.
- Defrost your refrigerator as soon as a layer of ice forms.
- Avoid unnecessarily low temperature settings.
- Arrange the food in the refrigerator so that air can circulate inside.
- Leave a distance of at least 10 mm between the contents and ventilation openings on the vent cover.

9.3 Switching on the refrigerator

- Press and hold the control knob for more than 3 seconds.
- ✓ The refrigerator starts with the last selected settings.

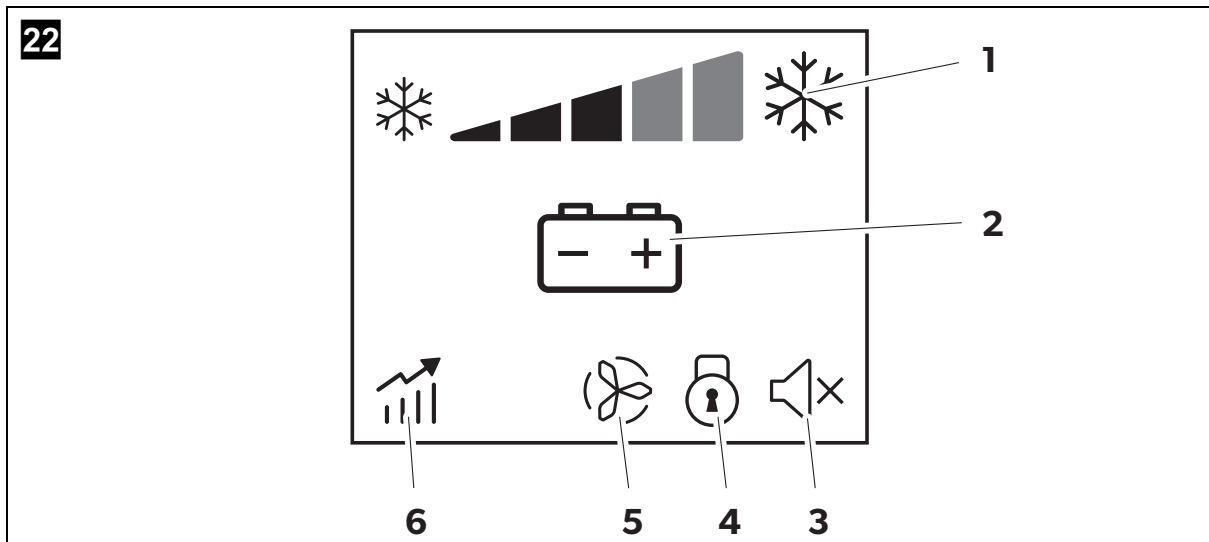
9.4 Menu overview and navigation















- Turn/press the control knob on preferred setting and user mode option.
- ✓ The colour turns blue when selected.
- Press again to deselect.

9.5 Display

By default the display shows the following main menu:



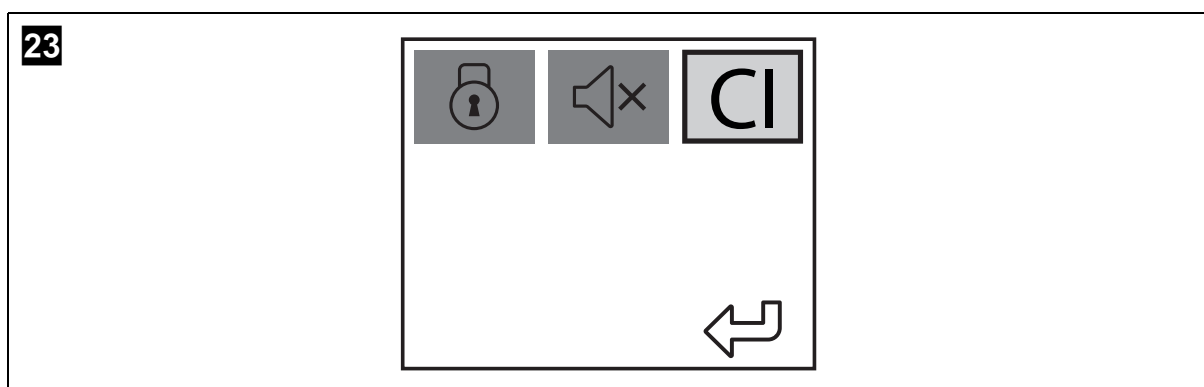
No. in fig. 22	Description
1	 <p>The temperature bars show the set temperature: Lowest bar: lowest cooling function (warmest inner temperature) Highest bar: highest cooling function (coldest inner temperature) Blue snowflake: compressor is on. White snowflake: compressor is off.</p>
2	  <p>Displays the currently used energy source. If the refrigerator is connected to AC and DC power supply at the same time, the AC power supply is preferred.</p>
3	 <p>Beep off: No sound indication for extended door openings or error conditions.</p>
	 <p>Beep on: Sound indication for extended door openings or cooling function error conditions.</p>

No. in fig. 22	Description
4	 <p>The display lock is selectable by user to prevent accidental adjustments or children from using the controls.</p> <p>The lock activates approx. 10 seconds after the last control knob touch and the display dims.</p> <p>Temporary override: Push the control knob 3 times within 1.5 seconds to unlock the controls temporarily.</p> <p>After 10 seconds without touching the control knob, the display lock is reactivated.</p> <p>Permanent deactivation: first temporarily override, then turn the display lock off in the settings menu.</p>
5	 1  2 <p>These symbols show the speed level of the outer fan: 1 = low speed 2 = high speed</p>
6	<p>These symbols show the active user mode of the refrigerator:</p> <hr/>  <p>Performance mode (factory default mode): Uses all functionalities of the refrigerator automatically for optimised performance. The temperature can be set to levels 1-5.</p> <hr/>  <p>Silent mode: The outer fan operates at low speed and the compressor speed is limited. The temperature setting is limited to levels 1-3.</p> <hr/>  <p>Eco mode: The temperature setting is fixed at level 3 and defrost function is disabled.</p> <hr/>  <p>Turbo mode: The coldest setting is activated during pulldown. The outer fan and compressor operate at high speed and the defrost function is disabled. Turbo mode is active for 12 hours or until the refrigerator reaches a temperature of -2 °C. After that, the control switches to performance mode automatically. After switching to performance mode, the temperature setting remains at level 5. At this point adjustments can be made to levels 1-5 to suit ongoing requirement.</p>

**NOTE - inner fan**

- All cooling modes: the inner fan switches off when the refrigerator door is opened.
- Performance/Silent/Turbo modes: the inner fan cycles on/off with the compressor.
- Eco mode: the inner fan remains on during compressor off cycles.

9.6 Settings screen (fig. 23)



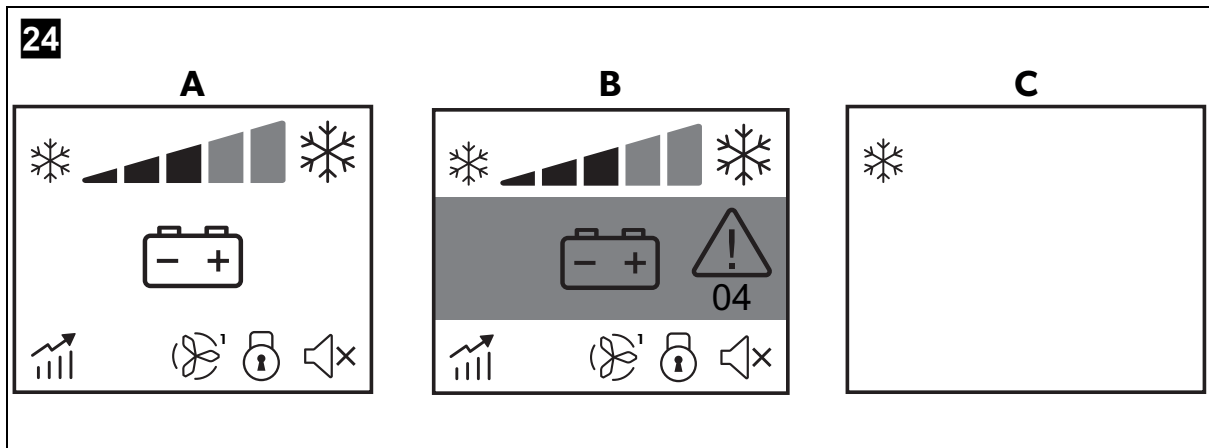
Symbol	Description
	Display lock
	Beep off
	CI-Bus: Not applicable on this model

9.7 User modes

The following table shows the user modes and their settings:

User mode	Symbol	Compressor speed	Outer fan	Defrost	Temperature setting	Duration
Performance		Auto	Auto	Auto	Levels 1 – 5	ongoing
Silent		Limited	Low	Auto	Level 1 – 3	ongoing
Eco		Auto	Auto	Off	Level 3	ongoing
Turbo		High	High	Off	Coldest level (5)	max. 12 hours

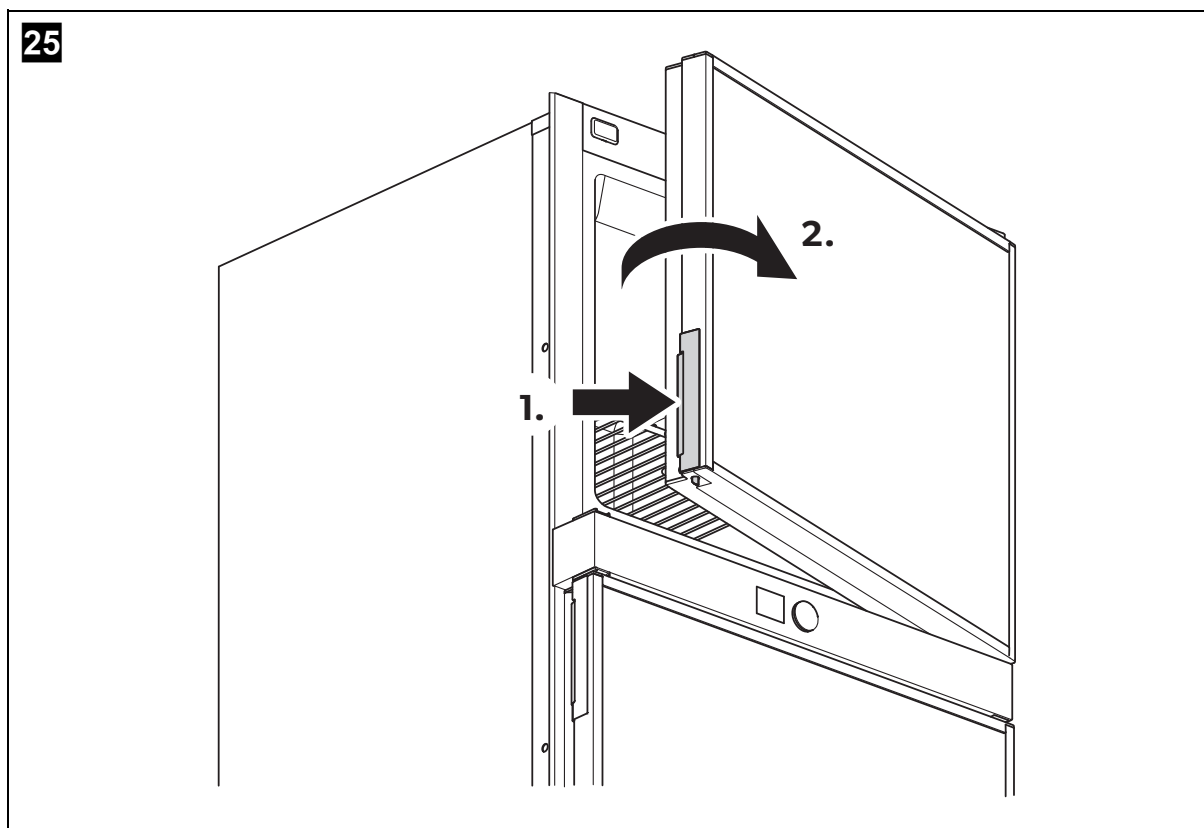
9.8 Display dimming functions (fig. 24)



If there is no operation on control knob within 10 seconds, the backlight will be dimmed and the display will return to idle screen **(A)**. After another 3 minutes without operation, the screen will enter standby **(C)** on which a snowflake appears in the top left corner to indicate that the refrigerator is on.

If there is an active error indication, the backlight and screen will not turn off. The display enters error screen **(B)**. In the error screen, the middle section is highlighted in red and shows the relevant error code (see chapter "Troubleshooting" on page 46).

9.9 Opening the refrigerator door/freezer compartment door



CAUTION!

- Always close and lock the refrigerator before starting the journey.
- Open the refrigerator doors carefully, because goods may have shifted and could fall out.

➤ Press the handle and pull the door out.

9.10 Locking the refrigerator door/freezer compartment door

- Ensure the locking catch is in the normal use position and not in the airing function position (fig. 27, page 34).
- Press the door shut until you hear it clearly click.
- ✓ The door is now closed and locked for travelling.

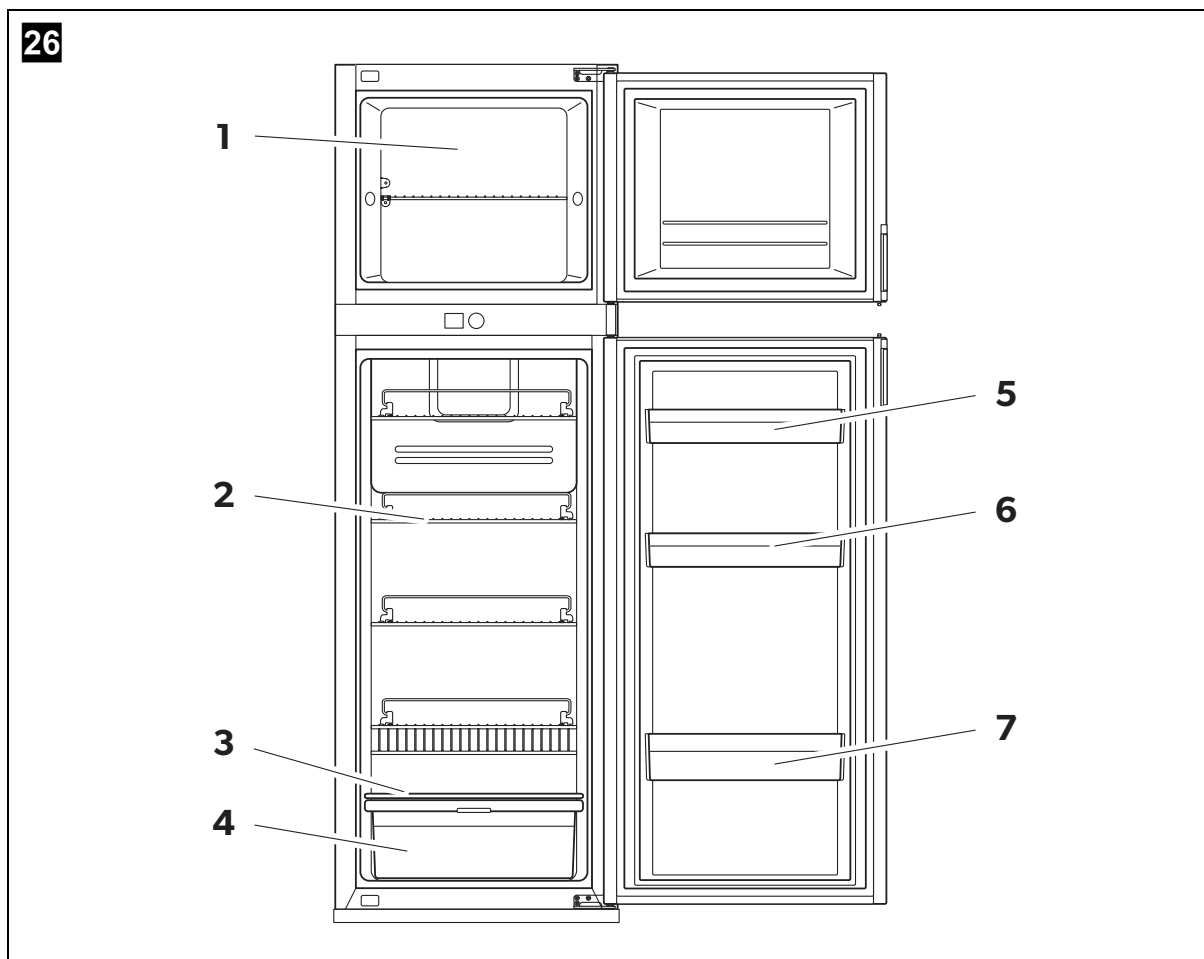
9.11 Notes on storing food



CAUTION!

Only store heavy objects such as bottles or cans in the refrigerator door, in the vegetable compartment or on the bottom shelf.

The refrigerator compartments are recommended for the following types of food:



No. in fig. 26	Food
1	Frozen food
2	Dairy products, ready-made meals
3	Meat, fish, items for defrosting
4	Salad, vegetables, fruit
5	Eggs, butter
6	Dressing, ketchup, jam
7	Drinks in bottles or cartons

Please observe the following instructions for storing items:

**NOTE**

- Do not keep carbonated drinks in the freezer compartment.
- The freezer compartment is suitable for making ice cubes and for keeping frozen food short-term. It is not suitable for long-term food storage.
- Pack raw and cooked items separately.
- Observe the expiry date on the packaging.
- Do not leave refrigerated items outside the refrigerator for too long.
- Clean the inside of the refrigerator at regular intervals.

9.12 Switching off the refrigerator

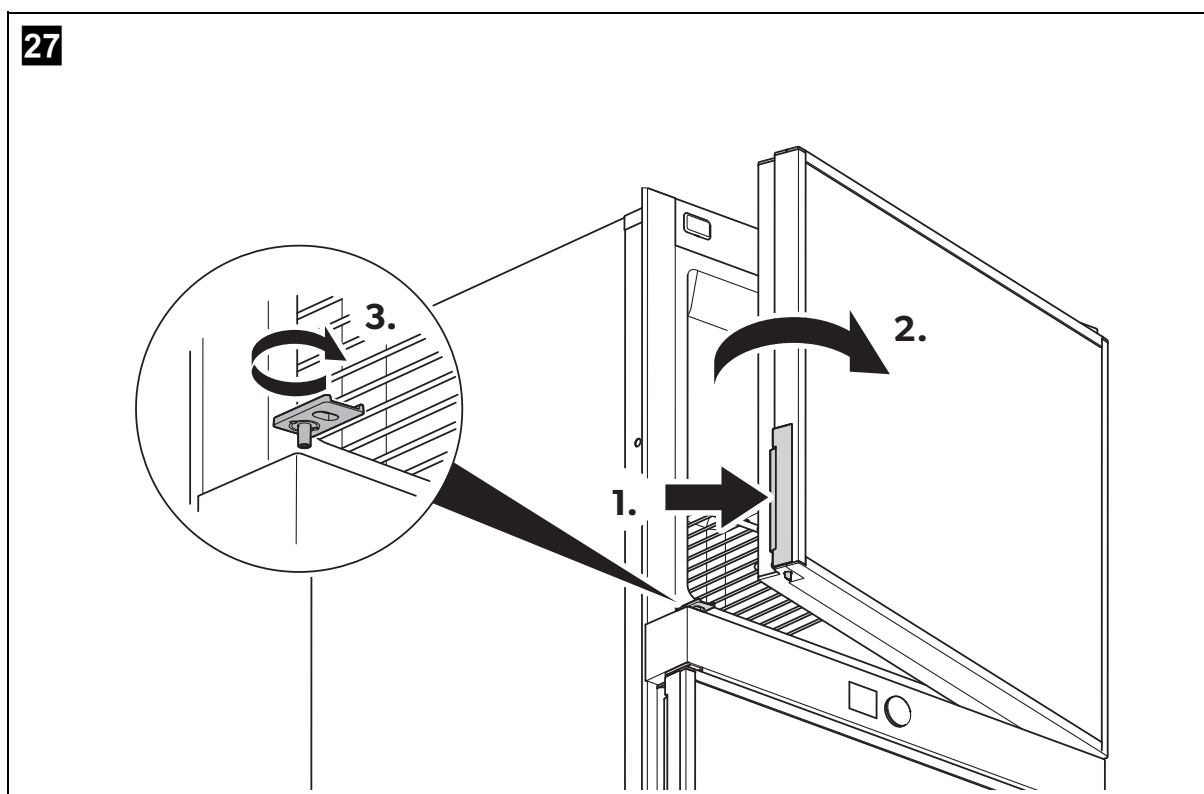
- Press and hold the control knob for more than 3 seconds.
- ✓ The display goes blank and the refrigerator is switched off completely.
- Disconnect the DC power supply.

9.13 Using the Door Airing Function



NOTE

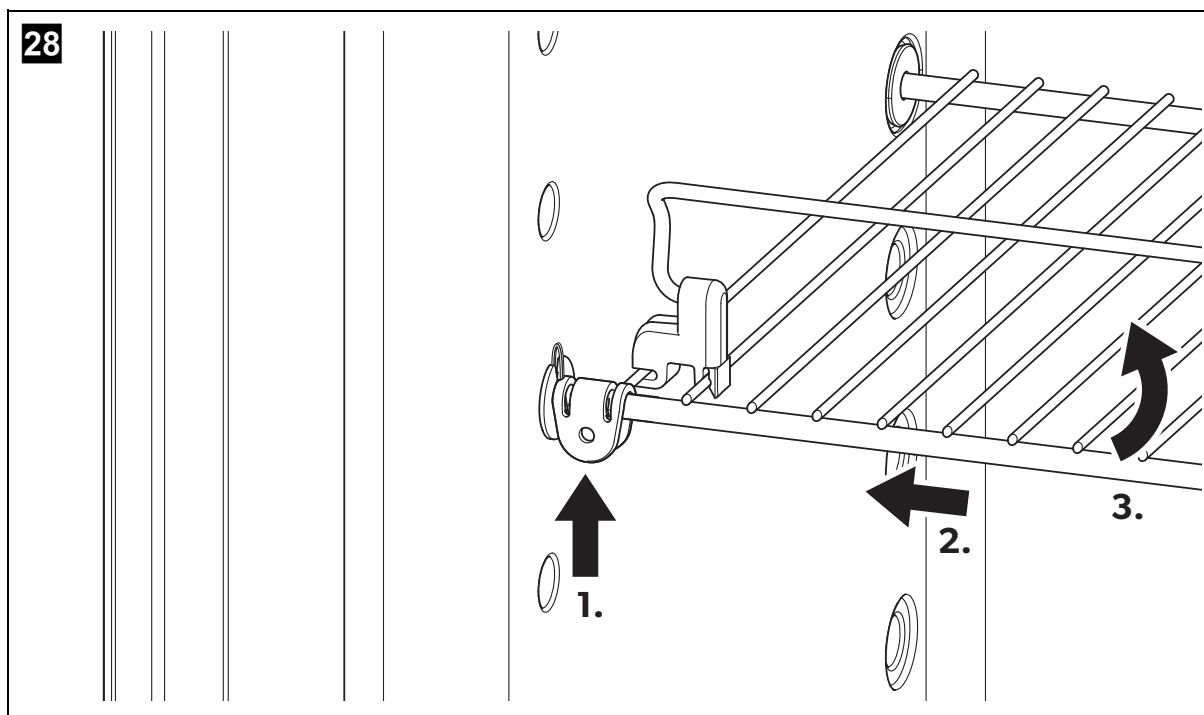
Use the door airing function if you do not intend to use the refrigerator for a prolonged period of time. This prevents mould from forming when the refrigerator is not in use or put into storage.



- Rotate the locking catch 180° to latch the doors slightly opened (fig. 27).

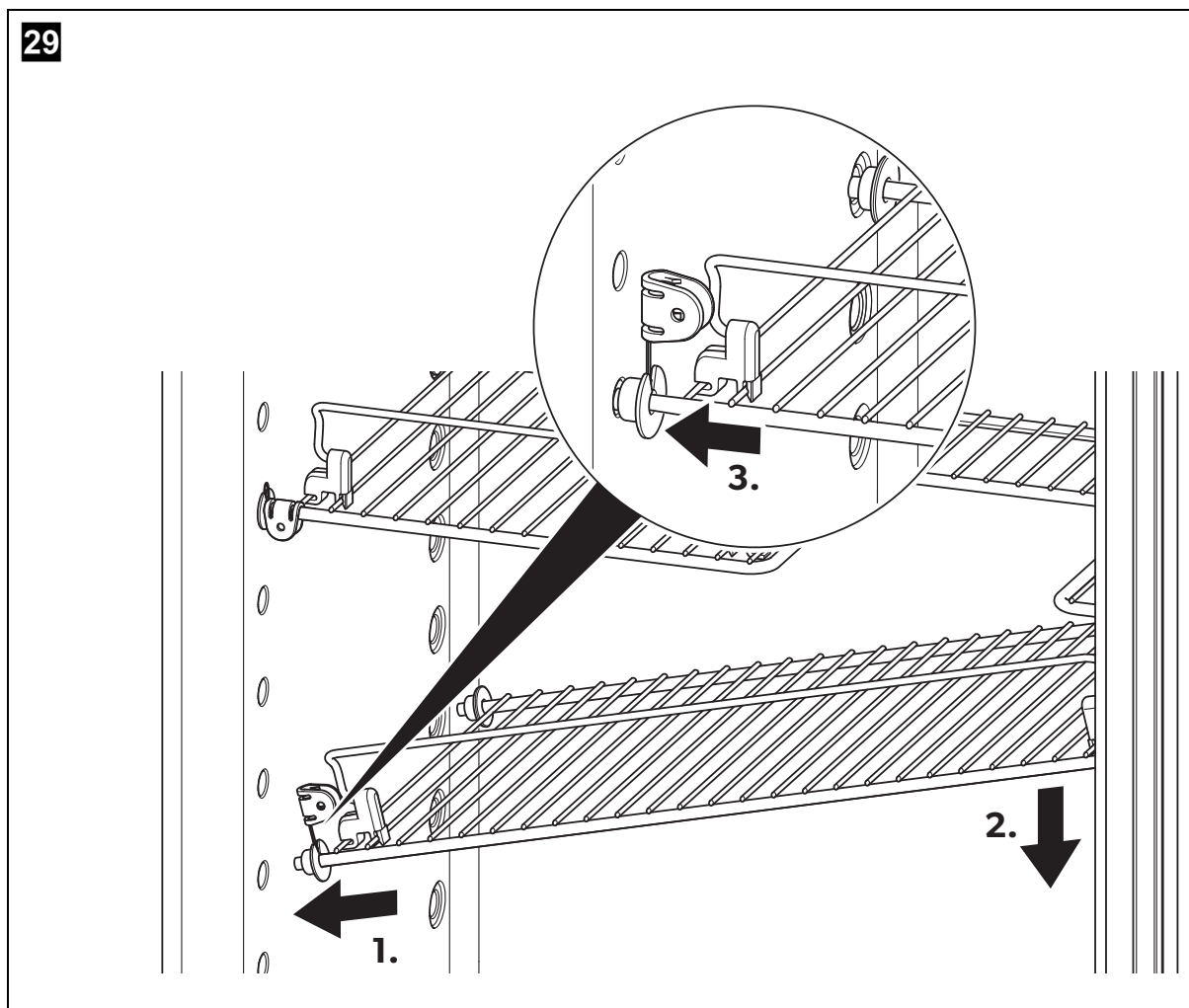
9.14 Removing and refitting the shelves

Removing the shelves

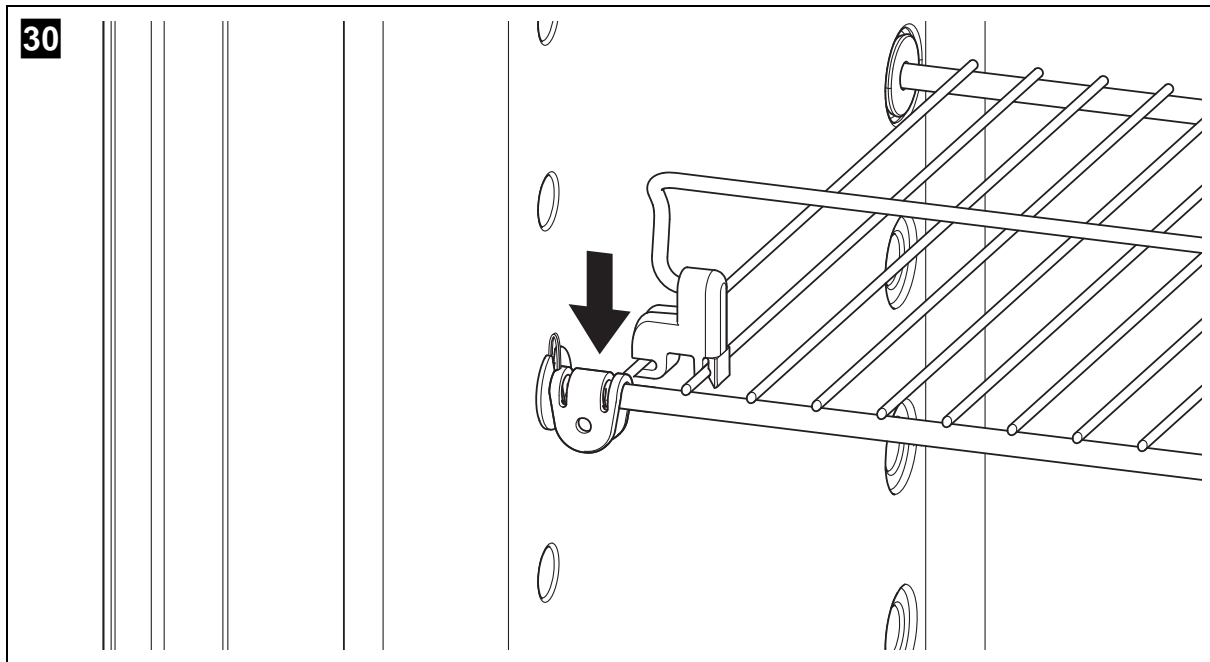


- Push the shelf locks off the left end of the wire shelf (1.).
- Slide the shelf to the left until it is clear on the right side (2.).
- Tilt the right end of the shelf up (3.).
- Remove the shelf by pulling it forward.

Refitting the shelves



- Position the shelf in the desired location.
- Insert the ends of the shelf on the left (**1.**).
- Slide the shelf into the holes on the right (**2.**).
- Slide the plastic plugs into the holes in the wall (**3.**).



- Snap the shelf locks onto the shelf.

9.15 Defrosting the refrigerator



NOTICE!

Never use mechanical tools to remove ice or to loosen objects stuck to the device.



NOTE

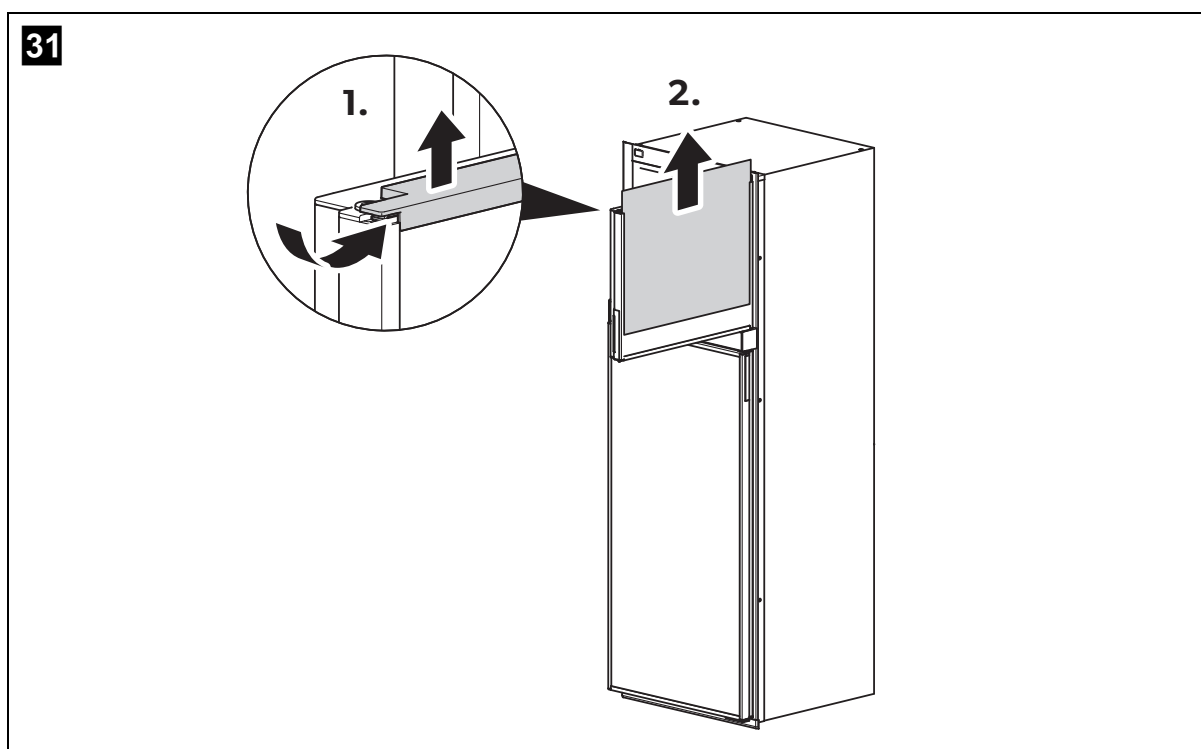
- The refrigerator compartment has a cyclic defrost system, which can prevent excessive frost forming on the evaporator fins. However, if the refrigerator is used for extended periods in high humidity and/or high ambient temperature conditions, frost may build up on the evaporator fins. In this case, you should defrost the refrigerator.
- The freezer compartment will require periodic defrosting. If the frost layer is higher than 3 mm, defrost the freezer compartment.

- Disconnect the power supply.
- Empty the contents.
- Put a cloth in the freezer compartment and the refrigerator to absorb any excess water.

- Leave the doors open.
- ✓ The condensate drains off through a hose at the back of the refrigerator and is routed outside the vehicle.
- Wipe both compartments dry with a cloth.

9.16 Replacing the door panel

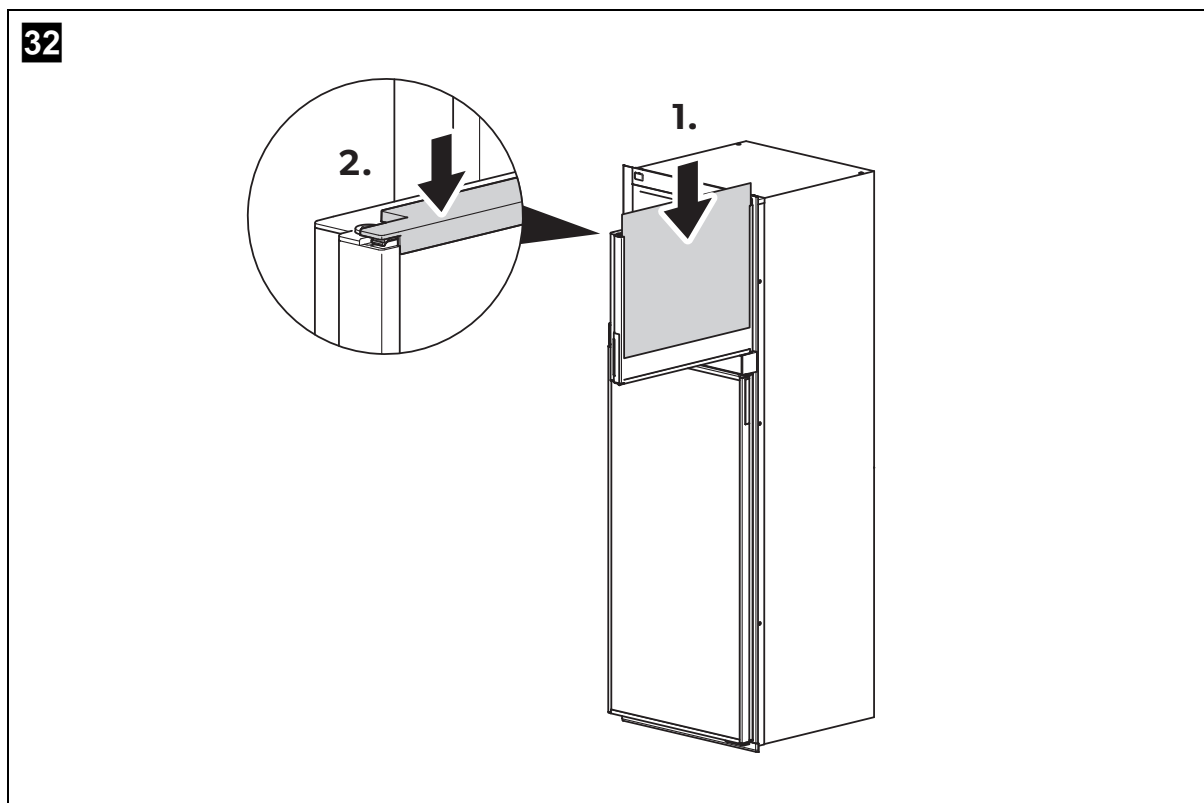
Removing the door panel



Proceed as follows (fig. **31**):

- Open the door 90 degrees.
- Remove the door top decoration strip by gently pushing upward by hand (**1.**).
- Pull the old panel upward (**2.**).

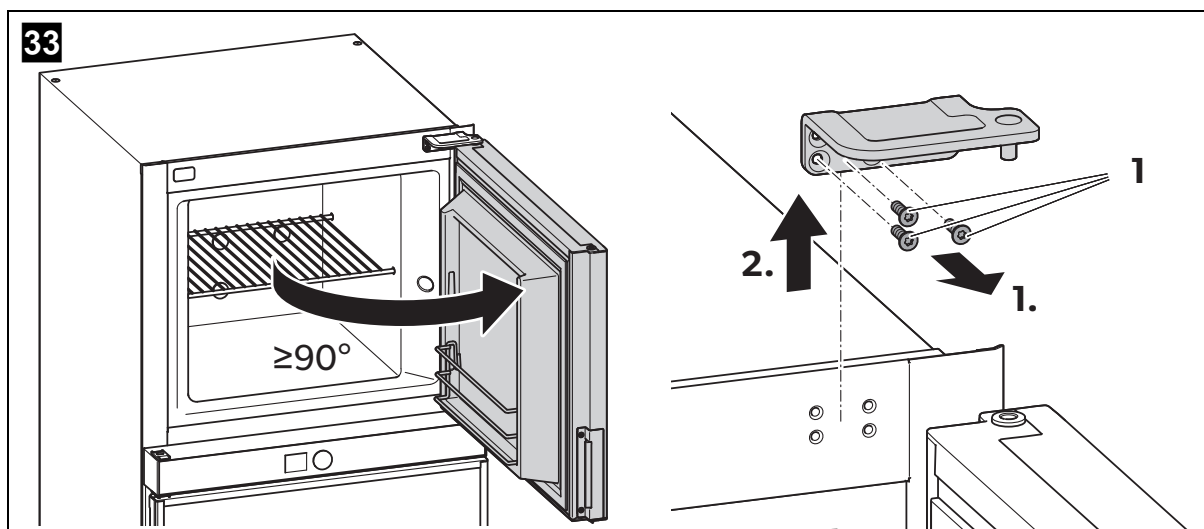
Installing the new door panel



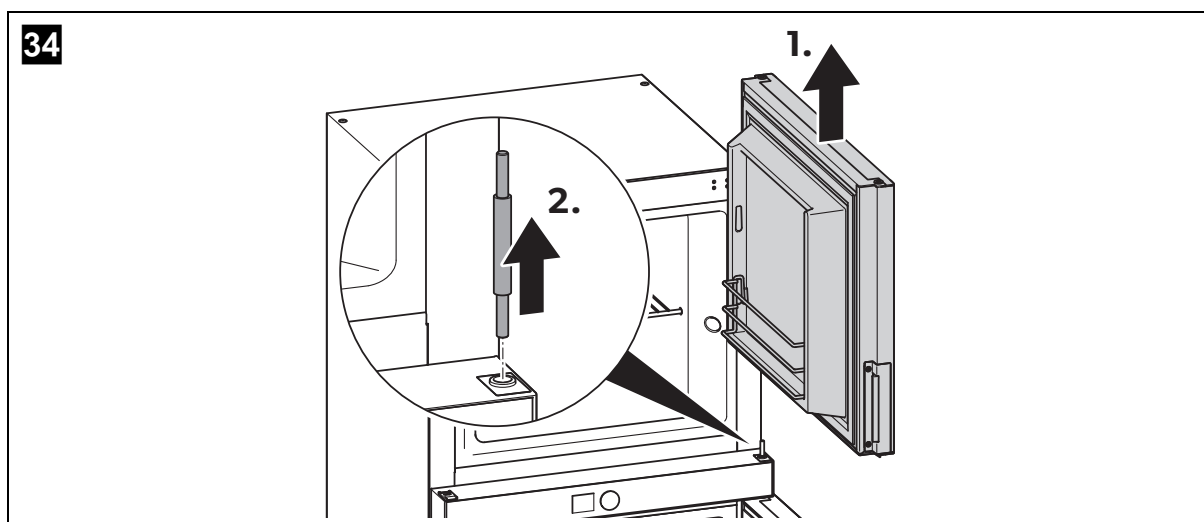
Proceed as follows (fig. **32**):

- Push the new panel downwards into the door. Ensure, that the vertical edges fit into the grooves of the door frame (**1.**).
- Push the new panel downwards until the lower horizontal edge of the panel fits into the bottom groove.
- Snap in the decoration strip (**2.**).

9.17 Reversing the doors



- Open the freezer door more than 90 degrees.
- Remove the three screws (fig. **33** 1) from the upper hinge.
- Pull the upper hinge upwards out of the bushing and away from the freezer door.



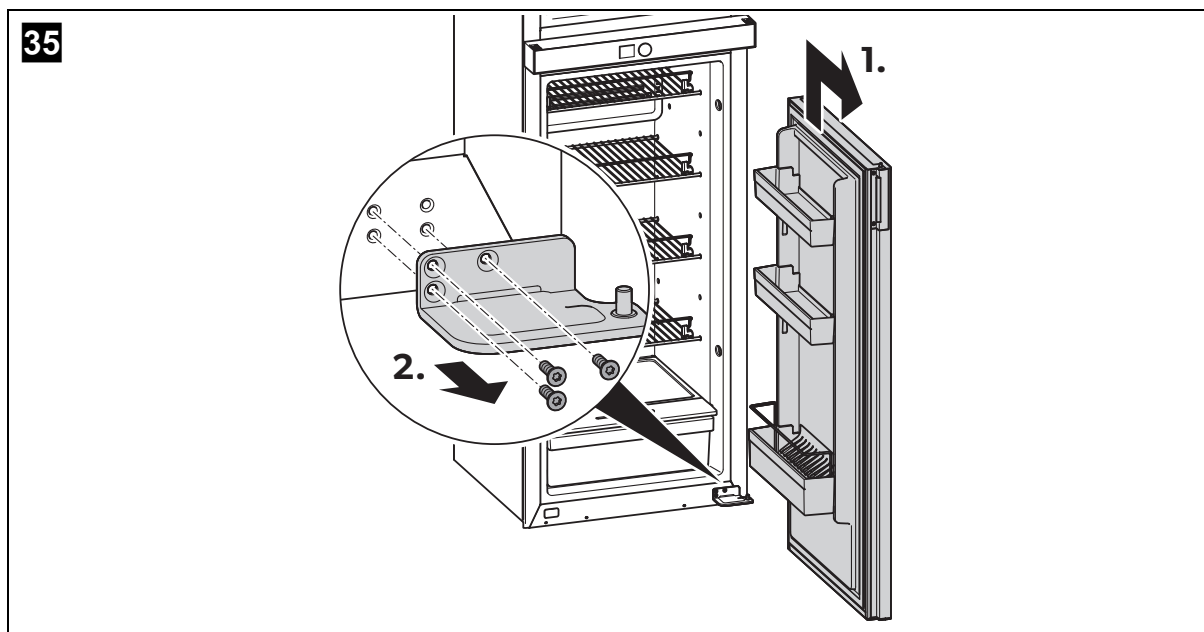
- Remove the freezer door by lifting it up until it clears the centre hinge pin (**1.** in fig. **34**).



NOTE

Carefully lift up the freezer door to prevent damaging the door bushing.

- Place the freezer door on soft material in order to prevent scratches.
- Support the refrigerator door so that it does not fall off.
- Pull out the centre hinge pin (**2.** in fig. **34**).

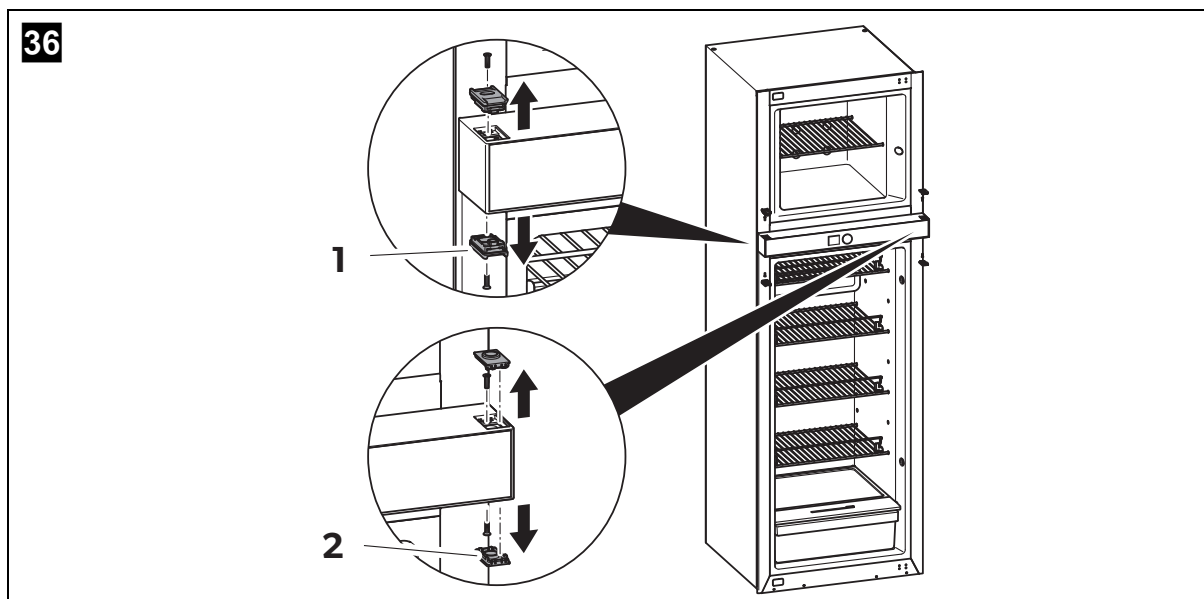


- Remove the refrigerator door by lifting it up until it clears the lower pin (**1.** in fig. **35**).

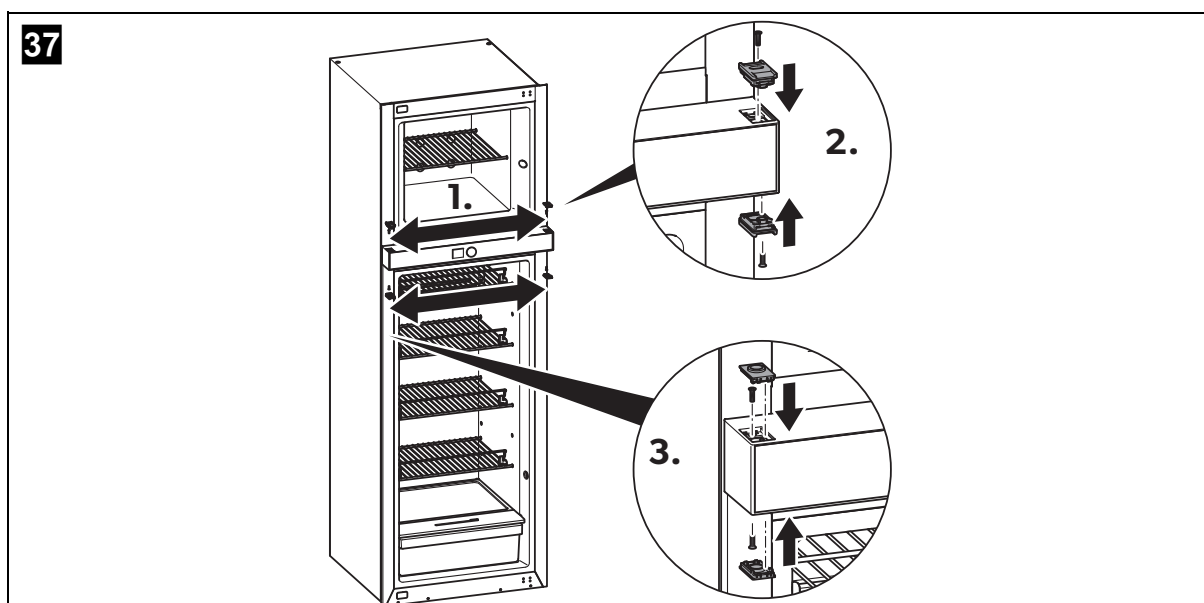
**NOTE**

Carefully lift up the refrigerator door to prevent damaging the door bushing.

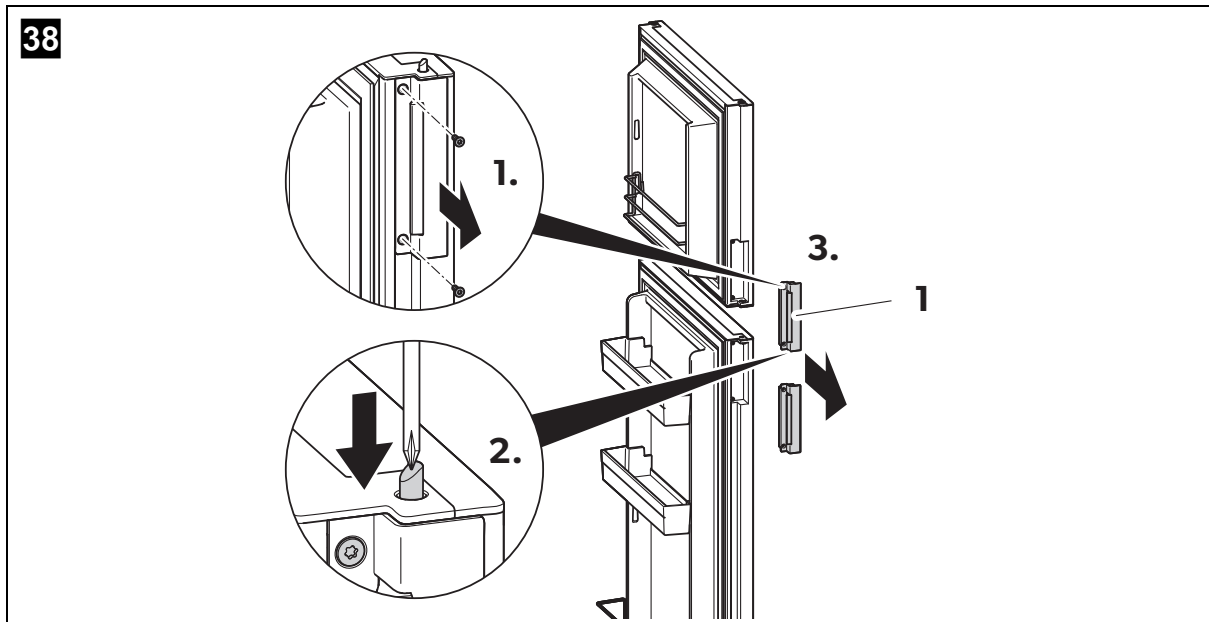
- Place the refrigerator door on soft material in order to prevent scratches.
- Remove the three screws from the lower hinge (**2.** in fig. **35**).



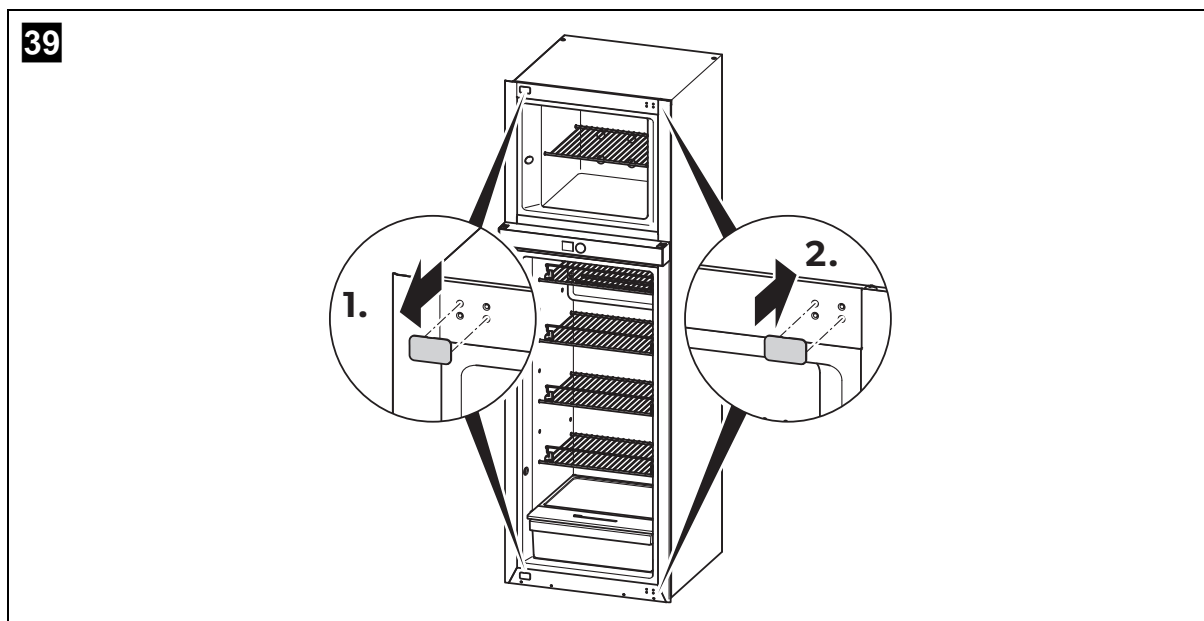
- Rotate the locking catches on the latch side by 180 degrees to expose the fixing screws.
- Remove the locking catch screws (fig. **36** 1).
- Take off the locking catches (fig. **36** 1).
- Remove the covers on the hinge side with a small screwdriver (fig. **36** 2).
- Remove the screws under the covers on the hinge side.



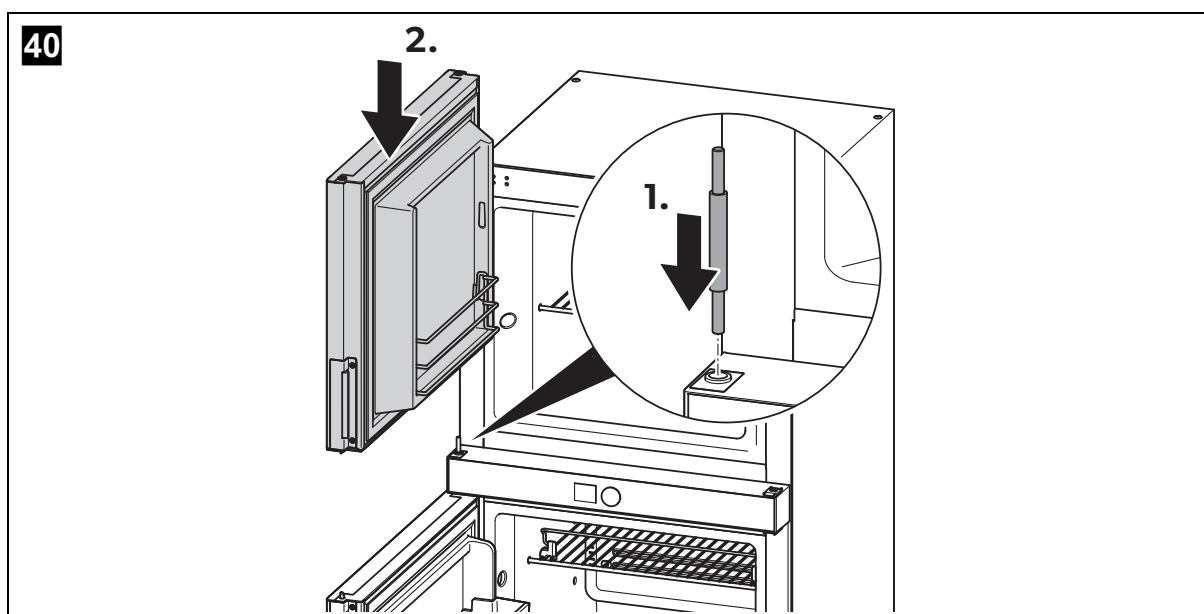
- Exchange the locking catches and the covers and install each of them on the opposite side.



- Remove the two screws (**1.** in fig. **38**) of the handle components on both doors.
- Push the spring bolt (**2.** in fig. **38**) inwards with a small screwdriver, until the handle components (fig. **38** **1**) are released.
- Remove the handle components (**3.** in fig. **38**).
- Remove the handle blanks from the opposite side of the doors.
- Relocate both door hinge bushes to the opposite side.
- Exchange the handle components and handle blanks and install each of them on the opposite side.
- ✓ The original freezer and refrigerator door handle components snap to the opposite door due to the spring bolt function.

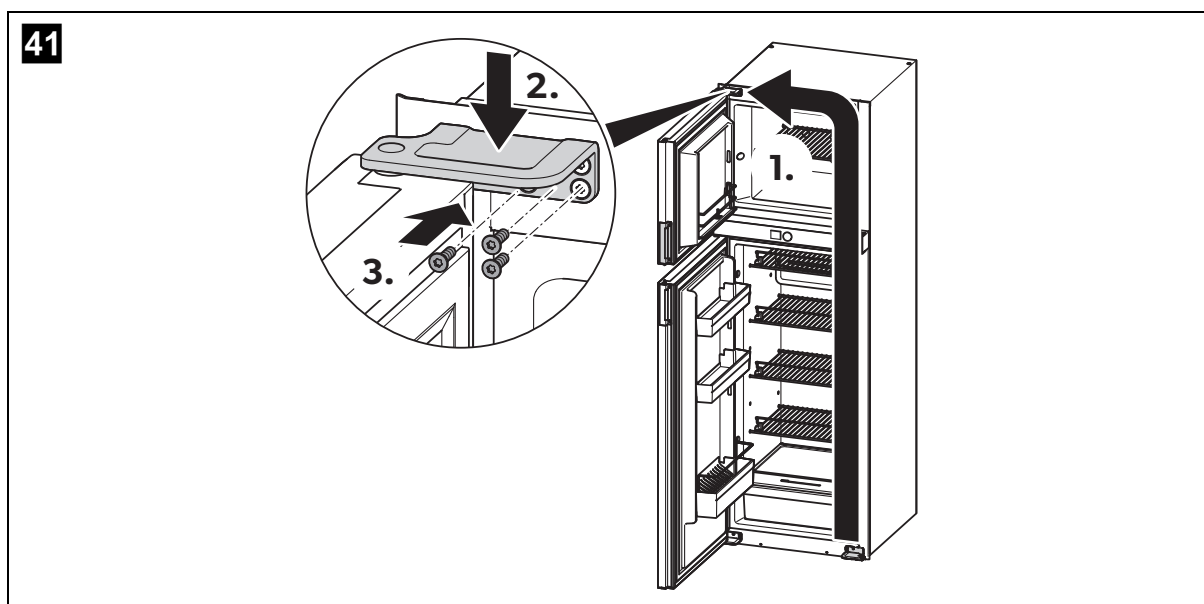


- Remove the covers from the upper and lower hinge points (1. in fig. 39).
- Install the covers on the opposite side (2. in fig. 39).
- Turn the former upper hinge 180 degrees and mount it to the new lower hinge position with the three screws.
- Position the refrigerator door on the hinge pin of the newly mounted lower hinge.



- Put the middle pin in place (1. in fig. 40).
- Fix the top of the refrigerator door by pushing the middle pin into the refrigerator door top bush.
- ✓ The refrigerator door is fixed now.

- Position the freezer door on the middle pin (**2.** in fig. **40**, page 44).



- Turn the former lower hinge 180 degrees and hold it in the new upper hinge position. Take care that the hinge pin fits into the upper bushing of the freezer door (**1.** and **2.** in fig. **41**).
- Fix the hinge with the three screws (**3.** in fig. **41**). To do so, open the freezer door by at least 90 degrees.
- ✓ The freezer door is fixed now.

10 Cleaning and maintenance



WARNING!

Always disconnect the refrigerator from the mains before you clean and service it.



NOTICE!

- Do not use abrasive cleaning agents or hard objects during cleaning as these can damage the refrigerator.
- Never use hard or sharp tools to remove ice or to free objects frozen onto the device.
- Do not use any mechanical tools or any other tools to speed up the defrosting process.

- Clean the refrigerator regularly and as soon as it becomes dirty with a damp cloth.
- Make sure that no water drips into the controls. This can damage the electronics.
- Wipe the refrigerator dry with a cloth after cleaning.
- Check the condensate drain regularly.
Clean the condensate drain when necessary. If it is blocked the condensate collects on the bottom of the refrigerator.

11 Troubleshooting

Faults and beeps



NOTE

- The beep signal can be muted once by pressing the control knob shortly or muted permanently by selecting the mute icon in the setting menu.
- If the refrigerator door is open for more than 2 minutes the beep signal will sound in combination with a flashing warning code. This signal turns off after the door is closed.

Faults are indicated on the display by highlighting the middle section with a red banner and a code. The faults that terminate the complete cooling function are displayed on the screen in combination with a beep.

In case of multiple faults, the error code will be rolling.

The beep will last for 2 minutes and repeat every 30 minutes until the fault is restored. Error type faults must be manually reset by pressing and holding the control knob between 2 s and 4 s. Warning type faults reset automatically once the condition passes.

Code	Fault	Type	Icon	Beep	Influence on cooling
01	Defrost NTC sensor error	Warning	No flashing	No	No
02	Refrigerator air NTC sensor error	Warning	No flashing	No	No
03	Communication error	Error	No flashing	Yes	No
04	CI bus error	Warning	No flashing	No	No
10	Open fridge door > 2 minutes	Warning	Flashing	Yes	No
11	DC voltage low (< 7.5 V) or high (> 31.5 V)	Warning	No flashing	Yes	Yes
14	Inner fan faulty	Warning	No flashing	No	No
17	Defrost heater, low current (< 1 A)	Warning	No flashing	No	No
18	Defrost heater, high current (> 3 A)	Error	No flashing	No	No, but the power of the heater is stopped.
19	DC input voltage low	Warning	No flashing	Yes	Yes
26	Ambient thermostat sensor error	Warning	No flashing	No	No
32	Outer fan over-current	Error	No flashing	Yes	Yes
33	Compressor not started	Error	No flashing	Yes	Yes

Code	Fault	Type	Icon	Beep	Influence on cooling
34	Compressor overloaded	Error	No flashing	Yes	Yes
35	Thermal cut-out of controller unit	Error	No flashing	Yes	Yes

Compressor does not run (battery connection)

Fault	Possible cause	Remedy
Device does not function, display does not glow $U_{Term} = 0 V$	The connection between the battery and electronics unit has been interrupted.	Establish a connection.
	Main switch faulty (if installed)	Replace the main switch.
	Additional supply line fuse has blown (if installed).	Replace the supply line fuse.
	Internal fuse has blown.	Replace the internal fuse.
$U_{Term} \leq U_{ON}$	Battery voltage is too low.	Charge the battery.
The device does not cool (power is present, display is lit)	Defective component	This can only be repaired by an authorised repair centre.
The device does not cool, power is present, error indicator appears Start attempt with $U_{Term} \leq U_{OFF}$	Loose cables Poor contact (corrosion)	Establish a connection.
	Battery capacity too low	Replace the battery.
	Cable cross section too small or cable too long	Replace the cable according to chapter "Connecting the refrigerator to 12 – 24 V" on page 21.
	The device has switched off due to an internal fault.	This can only be repaired by an authorised repair centre.

Fault	Possible cause	Remedy
Start attempt with $U_{\text{Term}} \geq U_{\text{ON}}$	Ambient temperature too high	–
	Insufficient ventilation	Clean existing ventilation or install sufficient ventilation.
	Condenser is dirty	Clean the condenser.
	Fan defective	Replace the fan.
Electric circuit between the pins in the compressor interrupted	Defective compressor	This can only be repaired by an authorised repair centre.

U_{Term} Voltage between the positive and negative terminals of the electronics

U_{ON} Cut-in voltage of the electronics

U_{OFF} Cut-off voltage of the electronics

Compressor is not running (connected to AC supply)

Fault	Possible cause	Remedy
Device does not function, display does not glow	Connection supply line interrupted	Establish a connection.
	Main switch faulty (if installed)	Replace the main switch.
	Additional supply line fuse has blown (if installed).	Replace the supply line fuse.
	The integrated mains adapter is defective.	This can only be repaired by an authorised repair centre
The device does not cool (power is present, display is lit)	Defective component	This can only be repaired by an authorised repair centre.
Voltage is being applied, but the compressor does not operate	Ambient temperature too high	–
	Insufficient ventilation	Clean existing ventilation or install sufficient ventilation.
	Condenser is dirty.	Clean the condenser.
	Fan defective (if installed)	Replace the fan.
Electric circuit between the pins in the compressor interrupted	Defective compressor	This can only be repaired by an authorised repair centre.

Interior temperature too low on warmest control setting

Fault	Possible cause	Remedy
Compressor runs constantly	Control sensor faulty	This can only be repaired by an authorised repair centre.
Compressor runs for a long time	Large quantities have been frozen in the freezer compartment.	Wait until goods are completely frozen.

Poor cooling, increase in interior temperature

Fault	Possible cause	Remedy
Compressor runs for a long time/continuously	Evaporator is iced over.	Defrost the evaporator.
	Cooling area insulation is insufficient (moist/wet).	Adjust/replace the door seal.
	Ambient temperature too high	–
	Insufficient ventilation	Move the refrigerator to another location.
	Condenser is dirty.	Clean the condenser.
	Fan defective	Replace the fan.
Compressor does not run often	Battery capacity exhausted	Charge the battery.

Water in or under the refrigerator

Fault	Possible cause	Remedy
Water is leaking into the inside of the refrigerator.	The water drain system is clogged.	Clean the drain.
	Foodstuffs are preventing the water from flowing to the drain tube.	Make sure that foodstuffs do not touch the rear wall.
Water is leaking onto the floor.	The hose is split or not routed outside the vehicle.	Check the drain hose at the rear of the device.

Unusual noises

Fault	Possible cause	Remedy
Loud humming	A component of the refrigerant circuit cannot move freely (touching the wall).	Bend the component carefully away from the obstruction.
	There is a foreign object stuck between the cooling unit and the wall.	Remove the foreign object.
	Fan noise (normal)	–

12 Warranty

The statutory warranty period applies. If the product is defective, please contact the manufacturer's branch in your country (see the back of the instruction manual for the addresses) or your retailer.

For repair and guarantee processing, please include the following documents when you send in the device:

- A copy of the receipt with purchasing date
- A reason for the claim or description of the fault

13 Disposal



WARNING! Children beware!

Before disposing of your old refrigerator:

- Dismantle the drawers.
- Leave the shelves in the refrigerator so that children cannot climb inside.



NOTICE!

An insulating gas is used in the device (see type plate). Check with the relevant local government authority or your local waste disposal company about proper disposal and make sure that the device and all materials are disposed of professionally.


- Place the packaging material in the appropriate recycling waste bins wherever possible.



If you wish to finally dispose of the product, ask your local recycling centre or specialist dealer for details about how to do this in accordance with the applicable disposal regulations.

14 Technical data

	RUC8408X
Capacity – total:	216.5 l
Capacity – freezer compartment:	46 l
Connection voltage:	12 V --- or 24 V --- 100 – 240 V \sim , 50 – 60 Hz
Power rating (AC):	75 W
Rated current	
12 V --- :	10.5 A
24 V --- :	5.0 A
100 V \sim :	1.3 A
240 V \sim :	0.55 A
Power consumption at ambient temperature of 32 °C, +3 °C refrigerator:	240 V \sim : 1.02 kWh/24 h 12 V --- : 3.0 Ah/h
Cooling temperature range	
Refrigerator compartment:	0 °C to +8 °C
Freezer compartment:	-20 °C to -10 °C
Noise emission	\leq 35 dB
Climatic class:	N or T(+16 °C to +43 °C)
Short-term inclination:	30°
Refrigerant:	R134a
Refrigerant quantity:	103 g
Defrost	
Refrigerator:	Cyclic
Freezer:	Manual

	RUC 8408X
Dimensions (mm) W x H without flange: with flange: D overall (includes control knob 5 mm): back face to rear:	525 x 1644 550 x 1657 677 608
Weight:	46 kg
Inspection/certification:	



NOTE

The power consumption is measured at 32 °C ambient temperature with 3 °C average cooling temperature in the refrigerator compartment.

Contains fluorinated greenhouse gases

Hermetically sealed equipment

AUSTRALIA**Dometic Australia Pty. Ltd.**

1 John Duncan Court · Varsity Lakes QLD 4227

☎ 1800 212121 · 📞 +61 7 55076001

Mail: sales@dometic.com.au

dometic.com**AUSTRIA****Dometic Austria GmbH**

Neudorferstraße 108

A-2353 Guntramsdorf

☎ +43 2236 908070

📞 +43 2236 90807060

Mail: info@dometic.at

BENELUX**Dometic Branch Office Belgium**

Zincstraat 3

B-1500 Halle

☎ +32 2 3598040

📞 +32 2 3598050

Mail: info@dometic.be

BRAZIL**Dometic DO Brasil LTDA**

Avenida Paulista 1754, conj. 111

SP 01310-920 Sao Paulo

☎ +55 11 3251 3352

📞 +55 11 3251 3362

Mail: info@dometic.com.br

DENMARK**Dometic Denmark A/S**

Nordensvej 15, Taulov

DK-7000 Fredericia

☎ +45 75585966

📞 +45 75586307

Mail: info@dometic.dk

FINLAND**Dometic Finland OY**

Mestarintie 4

FIN-01730 Vantaa

☎ +358 20 7413220

📞 +358 9 7593700

Mail: info@dometic.fi

FRANCE**Dometic SAS**

ZA du Pré de la Dame Jeanne

B.P. 5

F-60128 Plailly

☎ +33 3 44633525

📞 +33 3 44633518

Mail: vehiculesdeloisirs@dometic.fr

GERMANY**Dometic WAECO International GmbH**

Hollefeldstraße 63

D-48282 Emmsdetten

☎ +49 (0) 2572 879-0

📞 +49 (0) 2572 879-300

Mail: info@dometic-waeco.de

HONG KONG**Dometic Group Asia Pacific**

Suites 2207-11 · 22/F · Tower 1

The Gateway · 25 Canton Road,

Tsim Sha Tsui · Kowloon

☎ +852 2 4611386

📞 +852 2 4665553

Mail: info@waeco.com.hk

HUNGARY**Dometic Zrt. Sales Office**

Kerékgyártó u. 5.

H-1147 Budapest

☎ +36 1 468 4400

📞 +36 1 468 4401

Mail: budapest@dometic.hu

ITALY**Dometic Italy S.r.l.**

Via Virgilio, 3

I-47122 Forlì (FC)

☎ +39 0543 754901

📞 +39 0543 754983

Mail: vendite@dometic.it

JAPAN**Dometic KK**

Maekawa-Shibaura, Bldg. 2

2-13-9 Shibaura Minato-ku

Tokyo 108-0023

☎ +81 3 5445 3333

📞 +81 3 5445 3339

Mail: info@dometic.jp

MEXICO**Dometic Mx, S. de R. L. de C. V.**

Circuito Médicos No. 6 Local 1

Colonia Ciudad Satélite

CP 53100 Naucalpan de Juárez

Estado de México

☎ +52 55 5374 4108

📞 +52 55 5393 4683

Mail: info@dometic.com.mx

NETHERLANDS**Dometic Benelux B.V.**

Ecustraat 3

NL-4879 NP Etten-Leur

☎ +31 76 5029000

📞 +31 76 5029019

Mail: info@dometic.nl

NEW ZEALAND**Dometic New Zealand Ltd.**

PO Box 12011

Penrose

Auckland 1642

☎ +64 9 622 1490

📞 +64 9 622 1573

Mail: customerservices@dometic.co.nz

NORWAY**Dometic Norway AS**

Østerøyveien 46

N-3232 Sandefjord

☎ +47 33428450

📞 +47 33428459

Mail: firmapost@dometic.no

POLAND**Dometic Poland Sp. z o.o.**

Ul. Puławska 435A

PL-02-801 Warszawa

☎ +48 22 414 3200

📞 +48 22 414 3201

Mail: info@dometic.pl

PORTUGAL**Dometic Spain, S.L.**

Branch Office em Portugal

Rot. de São Gonçalo nº 1 – Esc. 12

2775-399 Carcavelos

☎ +351 219 244 173

📞 +351 219 243 206

Mail: info@dometic.pt

RUSSIA**Dometic RUS LLC**

Komsomolskaya square 6-1

RU-107140 Moscow

☎ +7 495 780 79 39

📞 +7 495 916 56 53

Mail: info@dometic.ru

SINGAPORE**Dometic Pte Ltd**

18 Boon Lay Way 06-140 Trade Hub 21

Singapore 609966

☎ +65 6795 3177

📞 +65 6862 6620

Mail: dometic@dometic.com.sg

SLOVAKIA**Dometic Slovakia s.r.o. Sales Office Bratislava**

Nádražná 34/A

900 28 Ivanka pri Dunaji

☎/📞 +421 2 45 529 680

Mail: bratislava@dometic.com

SOUTH AFRICA**Dometic (Pty) Ltd.****Regional Office****South Africa & Sub-Saharan Africa**

Unit 6-7 on Mastiff Linbro Park

2008 Johannesburg

☎ +27 11 4504978

📞 +27 11 4504976

Mail: info@dometic.co.za

SPAIN**Dometic Spain S.L.**

Avda. Sierra del Guadarrama, 16

E-28691 Villanueva de la Cañada

Madrid

☎ +34 902 111 042

📞 +34 900 100 245

Mail: info@dometic.es

SWEDEN**Dometic Scandinavia AB**

Gustaf Melins gata 7

S-42131 Västra Frölunda

☎ +46 31 7341100

📞 +46 31 7341101

Mail: info@dometicgroup.se

SWITZERLAND**Dometic Switzerland AG**

Riedackerstrasse 7a

CH-8153 Rümlang

☎ +41 44 8187171

📞 +41 44 8187191

Mail: info@dometic.ch

UNITED ARAB EMIRATES**Dometic Middle East FZCO**

P. O. Box 17860

S-D 6, Jebel Ali Freezone

Dubai

☎ +971 4 883 3858

📞 +971 4 883 3868

Mail: info@dometic.ae

UNITED KINGDOM**Dometic UK Ltd.**

Dometic House, The Brewery

Blandford St. Mary

Dorset DT11 9LS

☎ +44 344 626 0133

📞 +44 344 626 0143

Mail: customerservices@dometic.co.uk

USA**Dometic RV Division**

1120 North Main Street

Elkhart, IN 46515

☎ +1 574-264-2131

4445102446 12/2017