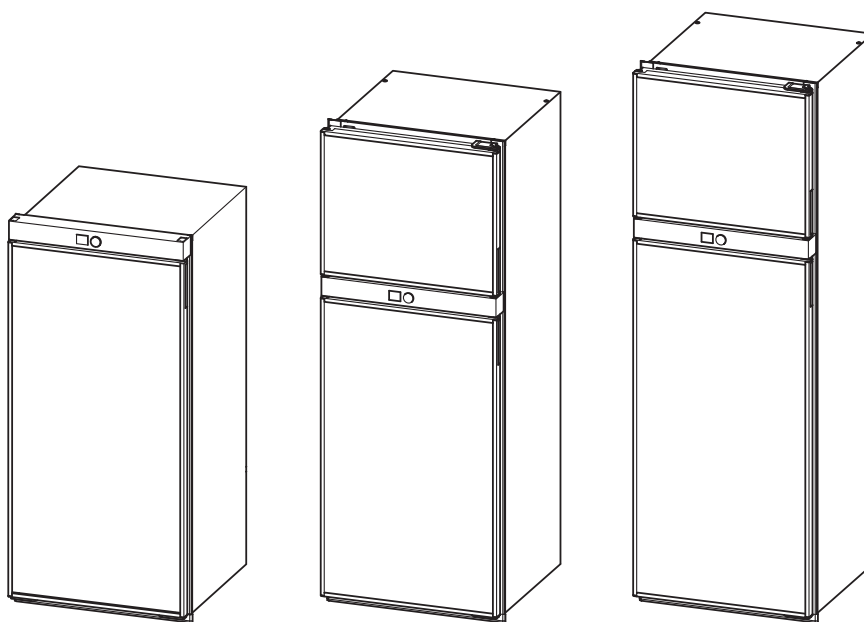


DOMETIC

REFRIGERATION

RUA SERIES



RUA5208X, RUA6408X, RUA8408X

EN

Absorption refrigerator

Operating Manual

Please read this instruction manual carefully before first use, and store it in a safe place. If you pass on the product to another person, hand over this instruction manual along with it.

Table of contents

1	Explanation of symbols	3
2	Safety instructions	3
3	Scope of delivery	6
4	Accessories	6
5	Intended use	7
6	Technical description	7
7	Using the refrigerator	15
8	Cleaning and maintenance	38
9	Troubleshooting	42
10	Warranty	46
11	Disposal	46
12	Technical data	47

1 Explanation of symbols

**WARNING!**

Safety instruction: Failure to observe this instruction can cause death or serious injury.

**CAUTION!**

Safety instruction: Failure to observe this instruction can lead to injury.

**NOTICE!**

Failure to observe this instruction can cause material damage and impair the function of the product.

**NOTE**

Supplementary information for operating the product.

2 Safety instructions

The manufacturer accepts no liability for damage in the following cases:

- Damage to the product resulting from mechanical influences and incorrect connection voltage
- Alterations to the product without express permission from the manufacturer
- Use for purposes other than those described in the operating manual

2.1 General safety

**WARNING!**

- Never open the absorber refrigerant circuit. They are under high pressure and can cause injury if they are opened.
- Do not operate the refrigerator if it is visibly damaged.
- If the power cable for this refrigerator is damaged, it must be replaced by the manufacturer, customer service or a similarly qualified person in order to prevent safety hazards.
- This refrigerator may only be repaired by qualified personnel. Inadequate repairs may cause serious hazards.

- This refrigerator can be used by children aged 8 years or over, as well as by persons with diminished physical, sensory or mental capacities or a lack of experience and knowledge, providing they are supervised or have been instructed how to use the refrigerator safely and are aware of the resulting risks.
- Cleaning and user maintenance must not be carried out by unsupervised children.
- Children must be supervised to ensure that they do not play with the refrigerator.
- Do not store any explosive substances, such as spray cans with propellants, in the refrigerator.

**CAUTION!**

- Danger of crushing! Do not put your fingers into the hinge.
- Food may only be stored in its original packaging or in suitable containers.

**NOTICE!**

- Do not open the refrigerant circuit under any circumstances.
- The refrigerant in the refrigerator circuit is highly flammable. In the event of any damage to the refrigerator circuit (smell of ammonia):
 - Switch off the refrigerator if applicable.
 - Avoid naked flames and sparks.
 - Air the room well.
- Check that the voltage specification on the type plate is the same as that of the power supply.
- The refrigerator is not suitable for storing substances which are caustic or contain solvents.
- Keep the drainage outlet clean at all times.
- Do not use a high-pressure cleaner near the ventilation grille when cleaning the vehicle.
- Never pull the plug out of the socket by the connection cable.
- The refrigerator lighting may only be replaced by customer service.
- The refrigerator may not be exposed to rain.

2.2 Safe operation



CAUTION!

- Close and lock the refrigerator door before beginning a journey.
- The refrigerator unit at the back of the refrigerator becomes hot during operation. Protect yourself from coming into contact with hot parts when removing ventilation grilles.
- Only store heavy objects such as bottles or cans in the refrigerator door, in the vegetable drawer or on the bottom shelf.



NOTICE!

- Do not use electrical devices inside the refrigerator unless they are recommended by the manufacturer for that purpose.
- **Danger of overheating!**
Always ensure sufficient ventilation so that the heat generated during operation can dissipate. Make sure that the refrigerator is sufficiently far away from walls and other objects so that the air can circulate.
- Ensure that the ventilation openings are not covered.
- Protect the refrigerator and the cable against heat and moisture.
- Make sure that foodstuffs do not touch the walls of the cooling area.

2.3 Safety when operating with DC power



NOTICE!

Only select operation with DC power supply (battery mode) if the vehicle engine is running and providing sufficient voltage to the light system, or if you are using a battery monitor.

2.4 Safety when operating with AC power



NOTICE!

- Check that the voltage specification on the type plate is the same as that of the power supply.
- Only use the cable supplied to connect the refrigerator to the AC mains.
- Never pull the plug out of the socket by the connection cable.

2.5 Safety when operating with gas



WARNING!

- **Only operate the refrigerator** at the pressure shown on the type plate. Only use pressure controllers with a fixed setting which comply with national regulations.
- **Never** store liquid gas cylinders in unventilated areas or below ground level (funnel shaped holes in the ground).
- Keep liquid gas cylinders away from direct sunlight. The temperature may not exceed 50 °C.
- Never operate the refrigerator with gas
 - at petrol stations
 - while driving
 - while transporting the caravan or mobile home with a transport vehicle or tow truck
- Never use a naked flame to check the refrigerator for leaks.
- If you smell gas:
 - Close the gas supply cock and the valve on the cylinder.
 - Open all windows and leave the room.
 - Do not press an electric switch.
 - Put out any naked flames.
 - Have the gas system checked by a specialist.



NOTICE!

- Only use universal LPG gas.

3 Scope of delivery

- Refrigerator
- Operating manual
- Installation manual

4 Accessories

Available as accessories (not included in the scope of delivery):

Description

RUA 5208X only: Door reversing kit

Accessories are available from specialist dealers. If you have any questions, please contact the dealer or your service partner directly.

5 Intended use

The refrigerator is designed for installation in caravans or motorhomes. It is only suitable for cooling, freezing and storing foodstuffs. The refrigerator is not intended for the proper storage of medicine.



CAUTION! Health hazard!

Please check if the cooling capacity of the refrigerator is suitable for storing the food you wish to cool.

The refrigerator is designed to be operated on a DC power supply and an AC socket and can be powered by liquid universal LPG gas. The refrigerator may **not** be run on natural gas or city gas.



NOTE

To safely operate 12 V consumer units in the caravan, it must be ensured that the towing vehicle provides sufficient voltage. On some vehicles, the battery management system may automatically switch off the consumer unit to protect the battery. Ask your vehicle manufacturer for more information.

6 Technical description

6.1 Description

The refrigerator is an absorption refrigerator. The refrigerator is designed to operate with different types of power and can be run on an AC power supply, a DC power supply or with liquefied universal LPG gas. For DC operation, the vehicle battery can be used. The thermostatic control ensures that the refrigerator temperature is kept constant and as little power as possible is consumed.

For ignition, the device does three attempts to ignite the flame for a period of 30 seconds at two minutes interval (if flame does not ignite, see chapter "Troubleshooting" on page 42).

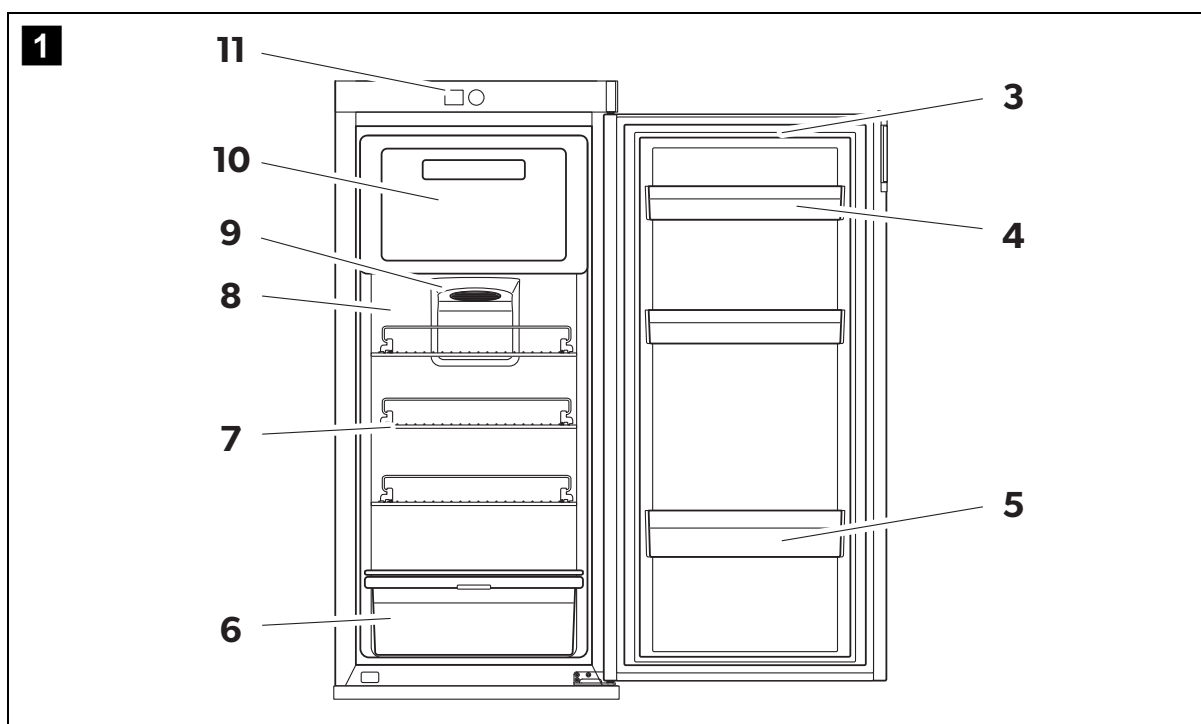
The refrigerator is equipped with an automatic safety device which automatically terminates the gas supply to the burner approximately 30 seconds after the flame goes out and remains out.

The refrigerator has a manual power mode selection and an automatic operating mode which selects the most economical power mode connected.

The refrigerator is equipped with an cold weather/low ambient control, which allows the refrigerator to operate in low ambient temperatures for a longer time.

6.2 Components

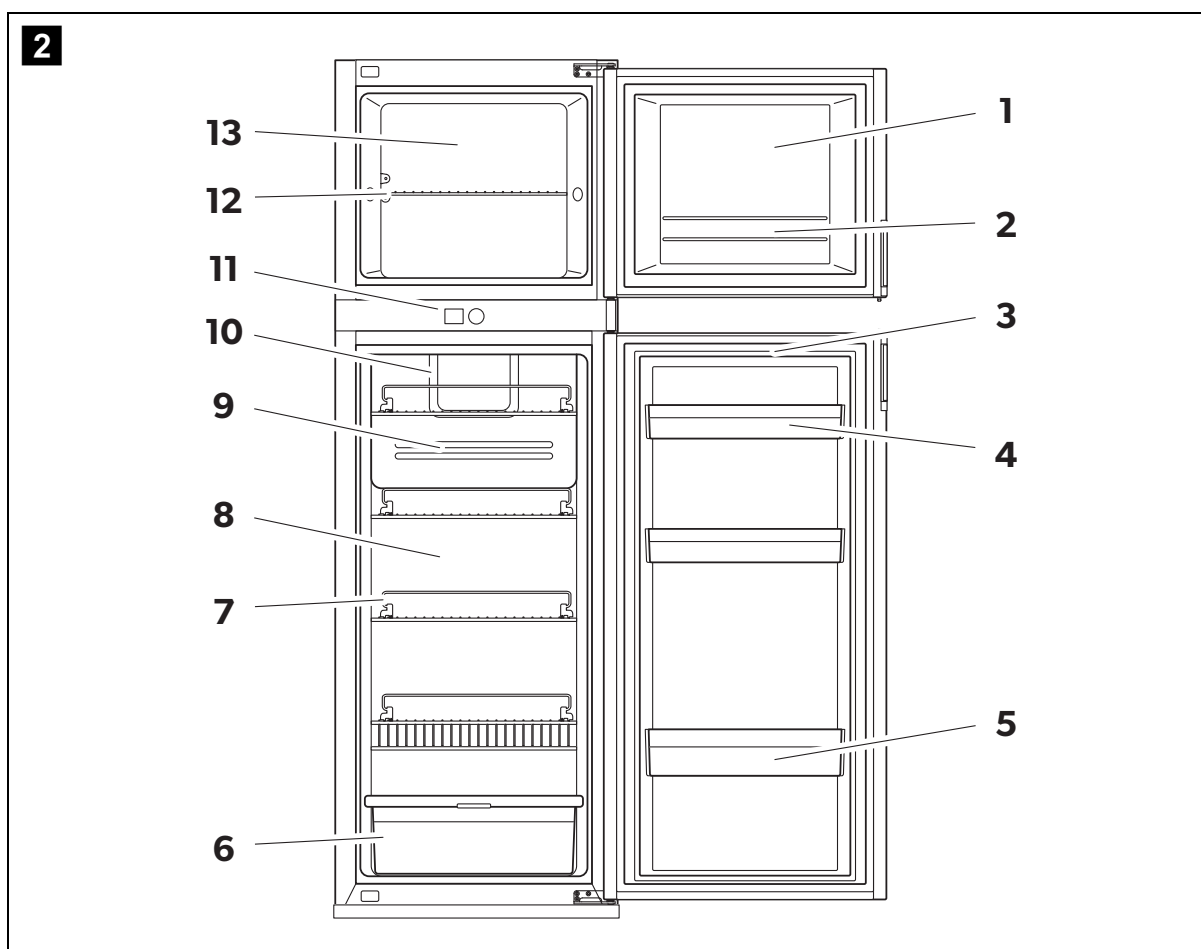
RUA5208X



No. in fig. 1	Description	Quantity RUA5208X
3	Refrigerator door	
4	Top door bin	2
5	Bottom door bin with bottle holder	
6	Fruit and vegetable section	
7	Refrigerator shelf	3
8	Refrigerator compartment	

No. in fig. 1	Description	Quantity	
		RUA5208X	
9	Internal light		
10	Freezer compartment		
11	Control and display elements		

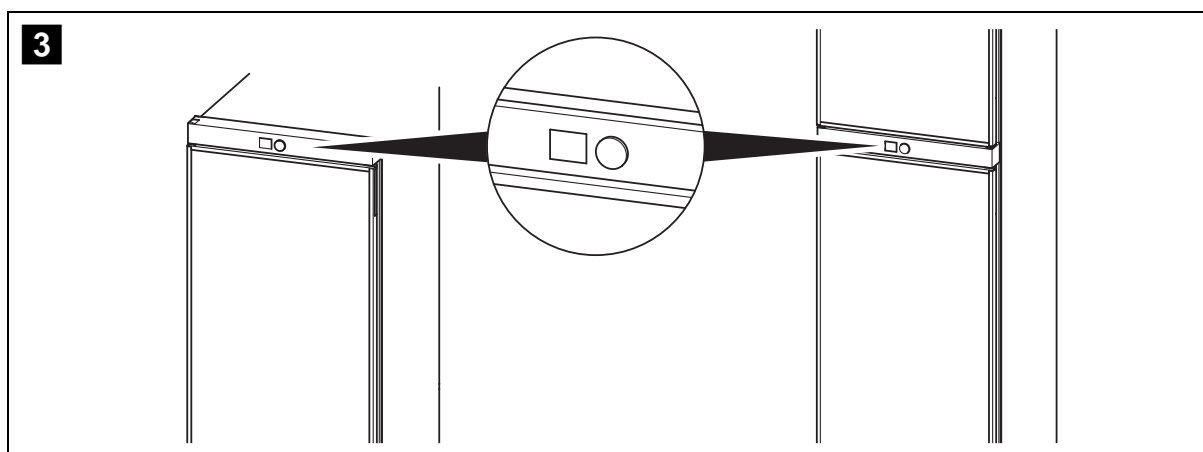
RUA6408X, RUA8408X



No. in fig. 2	Description	Quantity	
		RUA6408X	RUA8408X
1	Freezer compartment door		
2	Freezer door rack	1	1
3	Refrigerator door		
4	Top door bin	2	2
5	Bottom door bin with bottle holder		

No. in fig. 2	Description	Quantity	
		RUA6408X	RUA8408X
6	Fruit and vegetable section		
7	Refrigerator shelf	3	4
8	Refrigerator compartment		
9	Air duct cover plate		
10	Internal light		
11	Control and display elements		
12	Freezer shelf	1	1
13	Freezer compartment		

6.3 Control and display elements

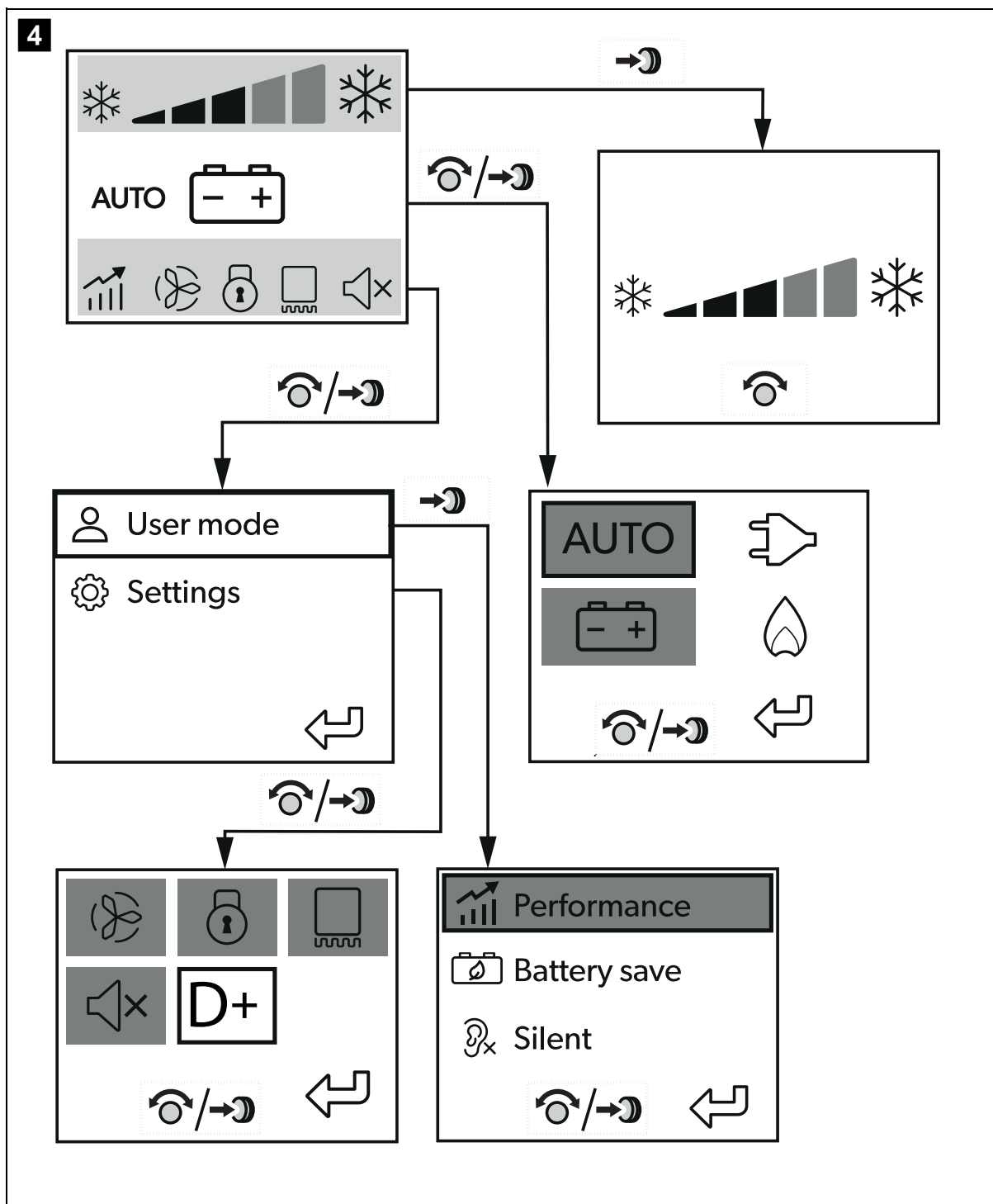


The refrigerator has a display and a control knob above the refrigerator door (fig. **3**).

Function of the control knob (fig. **3**):

- Rotate: Choose menu item. The selected menu item is highlighted.
- Short press: Confirm
- Press for 2 to 4 seconds: Acknowledge fault (chapter "Troubleshooting" on page 42)

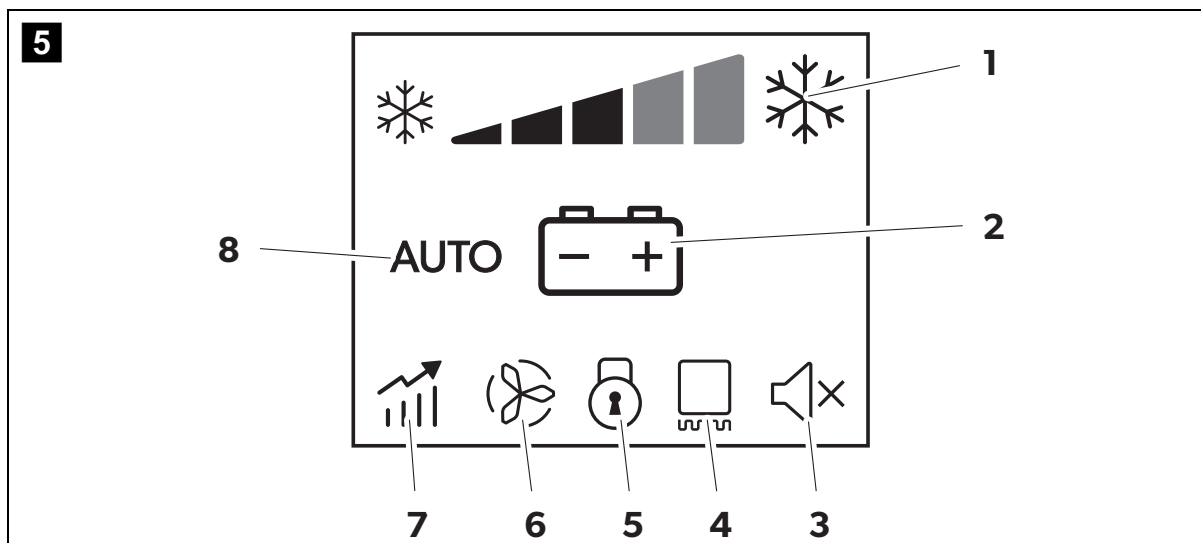
6.4 Menu overview and navigation


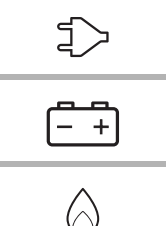












- Turn/press the control knob on preferred setting and user mode option.
- ✓ The colour turns blue when selected.
- Press again to deselect.

6.5 Display

By default the display shows the following main menu:

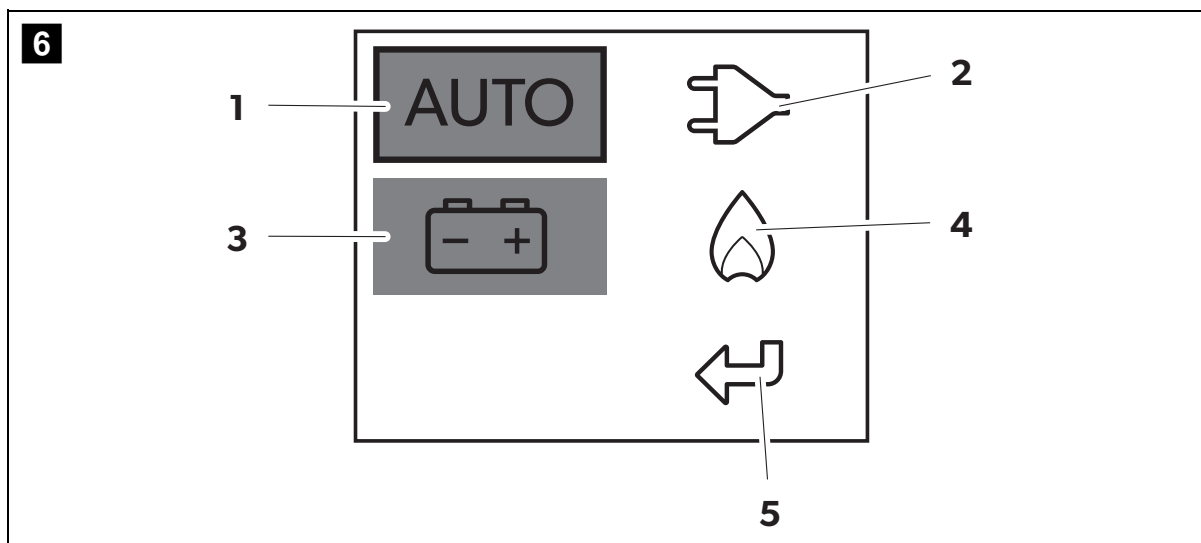






No. in fig. 5	Description
1	 <p>The temperature bars show the set temperature: Lowest bar: lowest cooling function (warmest inner temperature) Highest bar: highest cooling function (coldest inner temperature)</p>
2	 <p>Displays the currently used energy source (chapter "Energy selection" on page 14)</p>
3	 <p>Buzzer off: No sound indication for extended door openings or error conditions.</p>  <p>Buzzer on: Sound indication for extended door openings or cooling function error conditions.</p>
4	 <p>RUA 6408X, RUA 8408X only: Frame heater for the freezer compartment on (symbol illuminated) or off (symbol not illuminated).</p>

No. in fig. 5	Description
5	 <p>The child lock is selectable by user to prevent children from using the controls.</p> <p>If activated, push the control knob 3 times within 1.5 seconds to override temporarily and unlock the controls.</p> <p>After 10 seconds without touching the control knob, the child lock is reactivated.</p>
6	 <p>Switches the lower outer fan to automatic, manual or off mode. In automatic mode, an „A“ is shown in the upper right corner of this symbol.</p> <hr/>  <p>In manual mode, the fan operates continuously and „M“ is shown in the upper right corner of this symbol.</p> <hr/> 
7	<p>These symbols show the active user mode of the refrigerator:</p> <hr/>  <p>Performance mode (factory default mode): Uses all functionalities of the refrigerator and allows automated functionalities.</p> <hr/>  <p>Battery save mode: Deactivates the outer fans, the front frame heater and the defrost function in the main compartment. In battery save mode, the refrigerator only operates with gas. The battery save mode overrides the energy selection (chapter “Energy selection” on page 14).</p> <hr/>  <p>Silent mode: Deactivates the outer fans.</p>
8	<p>AUTO Only visible in automatic mode (chapter “Energy selection” on page 14)</p>
–	<p>D+ This function should be enabled when the vehicle has a valid D+ wire connection. With the function enabled, the refrigerator can operate in automatic energy selection and manual energy selection. If the function is disabled, the refrigerator only operates in manual energy selection.</p>

6.6 Energy selection

If you choose and confirm the middle line in the main menu, the following energy selection menu will be shown:



No. in fig. 6		Description
1	AUTO	Automatic energy selection enabled/disabled; only available, if D+ is connected.
2		AC voltage (highest priority with automatic energy selection enabled)
3		DC voltage (second priority with automatic energy selection enabled)
4		Gas operation only (lowest priority with automatic energy selection enabled)
5		Return to main display

If automatic energy selection is enabled, the priority of the chosen energy sources is as follows:

- AC
- DC
- Gas

If you choose an energy source manually, the **AUTO** symbol disappears in the main menu.

7 Using the refrigerator



NOTICE!

- Make sure that you only put items in the refrigerator which may be kept at the selected temperature.
- Make sure that items in the refrigerator do not block the openings of the cooling ventilation areas in the main compartment
- Foodstuff may only be stored in its original packaging or in suitable containers.



NOTE

- Before starting your new refrigerator for the first time, you should clean it inside and outside with a damp cloth for hygienic reasons.
- The cooling performance can be affected by:
 - the ambient temperature (e.g. when the vehicle is exposed to direct sunlight)
 - the amount of food to be conserved
 - how often you open the door
- When using the refrigerator for the first time, there may be a mild odour which will disappear after a few hours. Air the living space well.
- Park the vehicle so that it is level, especially when starting up and filling the refrigerator before setting off on a journey.
- Approximately one hour after switching on, the freezer compartment of the refrigerator should be cold. The refrigerator reaches its operating temperature after a few hours.
- Battery management systems switch off the power supply to the refrigerator as soon as the vehicle engine is switched off for a longer period of time. The refrigerator requires a constant DC power supply to operate. If your vehicle has a battery management system, deactivate it.

7.1 Tips for using the refrigerator optimally

When the temperature in the interior of the refrigerator exceeds +4 °C, the shelf life of goods that spoil quickly cannot be guaranteed. To attain an optimal cooling capacity in the interior of the refrigerator, observe the following information:

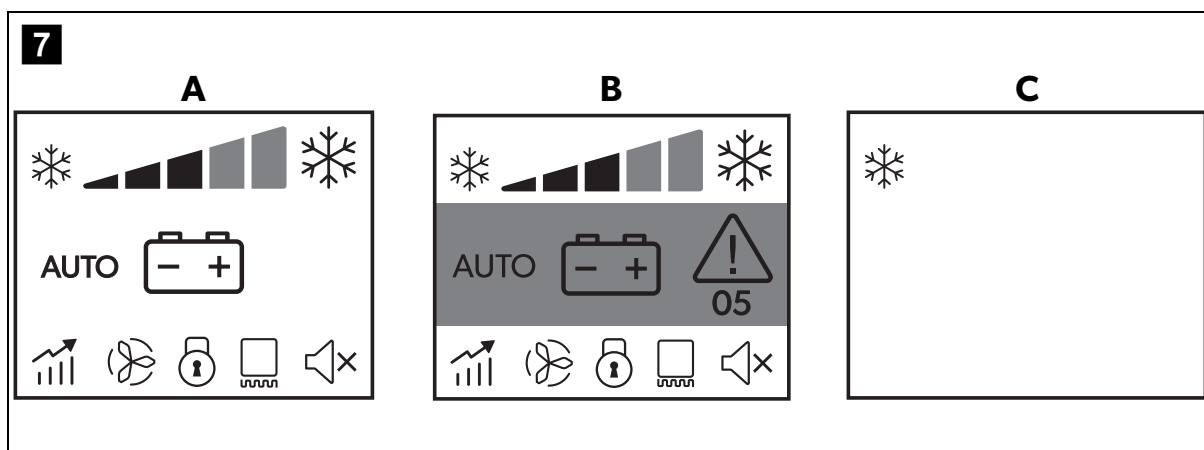
- Do not store goods in the refrigerator for the first 12 hours of operation.
- Protect the interior of the vehicle from warming up excessively (e.g. sunshades in the windows, air conditioner).
- Protect the refrigerator from direct sunlight (e.g. sunshades in the windows).
- Voltage fluctuations can have a negative effective on the cooling capacity. Check the temperature in the interior of the refrigerator regularly
 - when using DC power supply during the journey
 - when using AC power supply at the site of use

7.2 Energy saving tips

- Choose a well ventilated location which is protected from direct sunlight.
- Allow warm food to cool down first before keeping it cool in the refrigerator.
- Do not open the refrigerator more often than necessary.
- Do not leave the doors open for longer than necessary.
- Defrost your refrigerator as soon as a layer of ice forms.
- Avoid unnecessarily low temperature settings.
- Arrange the food in the refrigerator so that air can circulate inside.
- Leave a distance of at least 10 mm between the contents and ventilation openings on the vent cover.

7.3 Switching on the refrigerator

- Press and hold the control knob for more than 3 seconds.
- ✓ The refrigerator starts with the last type of energy source selected.

Dimming function of the display (fig. 7)

If there is no operation on control knob within 10 seconds, the backlight will be dimmed and the display will return to idle screen (**A**). After another 3 minutes without operation, the screen will enter standby (**C**) on which a snowflake appears in the top left corner to indicate that the refrigerator is on.

If there is an active error indication, the backlight and screen will not turn off. The display enters error screen (**B**). In the error screen, the middle section is highlighted in red and shows the relevant error code (see chapter "Troubleshooting" on page 42).

Operating with AC power supply

➤ Press the  button in the energy selection menu (chapter "Energy selection" on page 14).

Operating with DC power supply**NOTE**

- Only select operation with DC power supply (battery mode) if the vehicle engine is running and providing sufficient voltage to the vehicle's light system, or if you are using a battery monitor.
- Use AC or gas power supply first, until the refrigerator reaches the set cooling temperature. Only after reaching the cooling temperature, switch to DC power supply.

➤ Press the  button (chapter "Energy selection" on page 14).

Gas operation




WARNING! Fire hazard!

Never operate the refrigerator with gas at petrol stations.



NOTE

- Perform a periodical inspection of the burner to ensure contamination / vermin does not impede the burners performance.
- Ignition problems may occur at altitudes above 1000 m. Switch to a different energy source.
- Ignition is stopped after 30 seconds spark with no flame. An error code is shown in the error screen, after the ignition fails for 3 times.


➤ Press the  button (chapter "Energy selection" on page 14).

✓ The burner is ignited automatically.

Automatic operation



NOTE

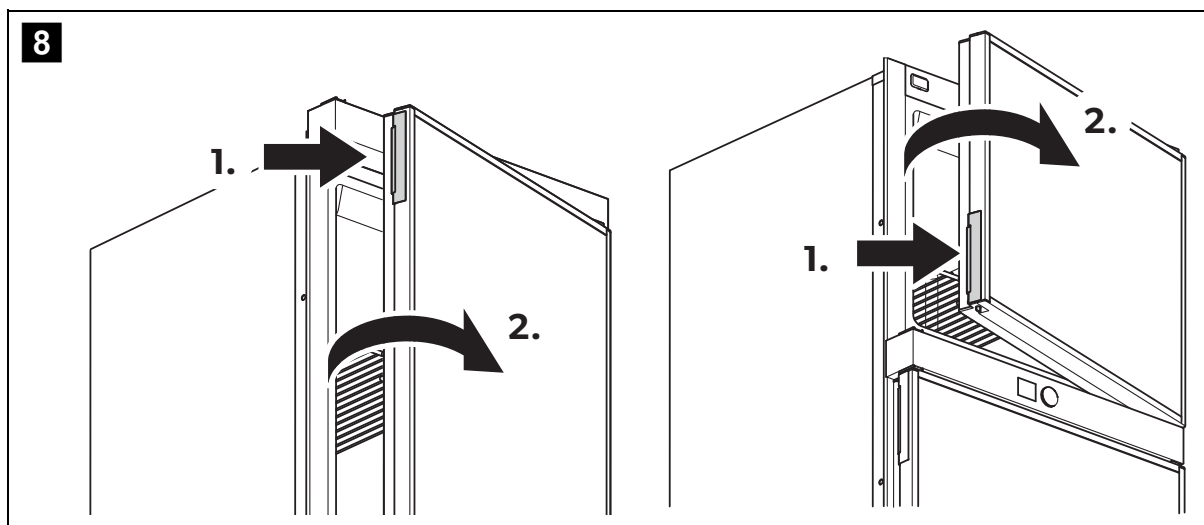
- If the vehicle's ignition is switched off, the refrigerator will switch to tank stop mode for safety reasons. This blocks gas operation for 15 minutes. In tank stop mode, the symbol  is displayed.
- Turn off the refrigerator or select a different operating mode if refueling takes longer than 15 minutes.
- Ignition problems may occur at altitudes above 1000 m. Switch to a different energy source.

In automatic mode, the refrigerator selects the most favourable operating mode available itself.

Priority	Operating mode
1	AC power
2	DC power
3	Gas

➤ Press the **AUTO** button (chapter "Energy selection" on page 14).

7.4 Opening the refrigerator door/freezer compartment door



CAUTION!

- Always close and lock the refrigerator before starting the journey.
- Open the refrigerator doors carefully, because goods may have shifted and could fall out.

- Press the handle and pull the door open.

7.5 Locking the refrigerator door/freezer compartment door

- Ensure the locking catch is in the normal use position and not in the airing function position (fig. 11, page 22).
- Press the door shut until you hear it clearly click.
- ✓ The door is now closed and locked for travelling.

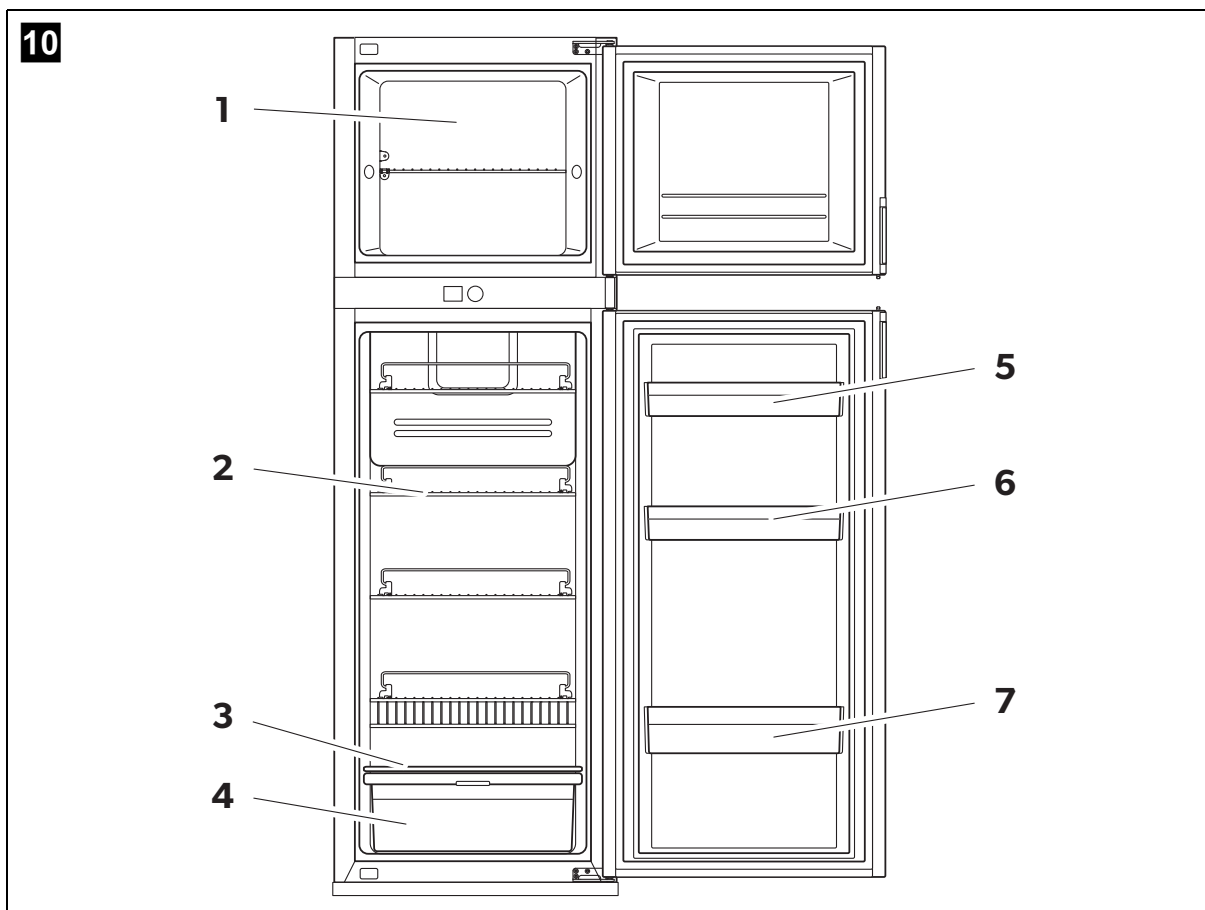
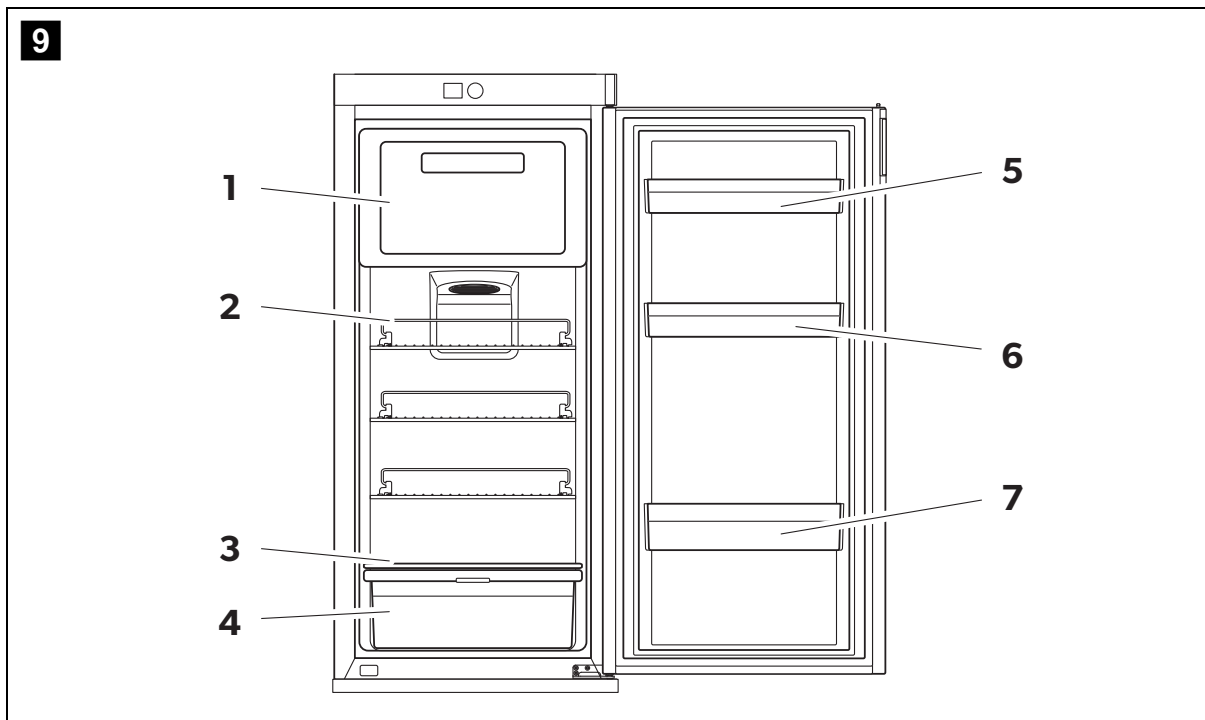
7.6 Notes on storing food



CAUTION!

Only store heavy objects such as bottles or cans in the refrigerator door, in the vegetable compartment or on the bottom shelf.

The refrigerator compartments are recommended for the following types of food:



No. in fig. 9 and fig. 10	Food
1	Frozen food
2	Dairy products, ready-made meals
3	Meat, fish, items for defrosting
4	Salad, vegetables, fruit
5	Eggs, butter
6	Dressing, ketchup, jam
7	Drinks in bottles or cartons

Please observe the following instructions for storing items:



NOTE

- Do not keep carbonated drinks in the freezer compartment.
- The freezer compartment is suitable for making ice cubes and for keeping frozen food short-term. It is not suitable for long-term food storage.
- Pack raw and cooked items separately.
- Observe the expiry date on the packaging.
- Do not leave refrigerated items outside the refrigerator for too long.
- Clean the inside of the refrigerator at regular intervals.

7.7 Switching off the refrigerator

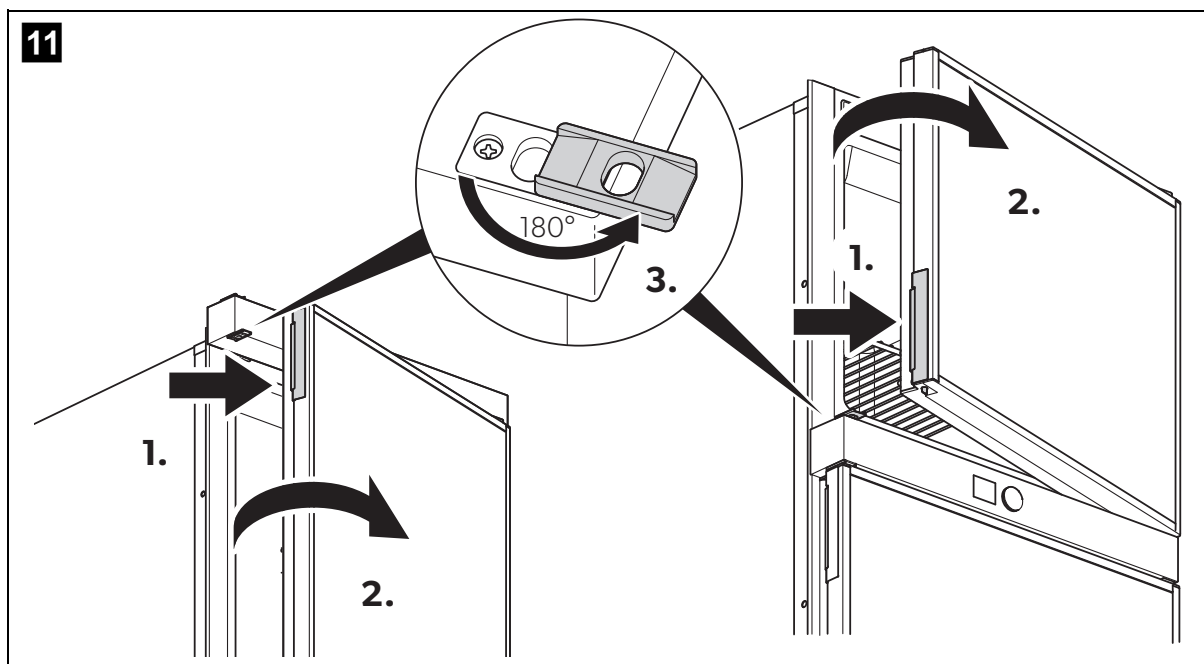
- Press and hold the control knob for more than 3 seconds.
- ✓ The display goes blank and the refrigerator is switched off completely.
- Shut off the gas supply in the vehicle and the valve to the gas cylinder.
- Disconnect the DC power supply.

7.8 Using the Door Airing Function



NOTE

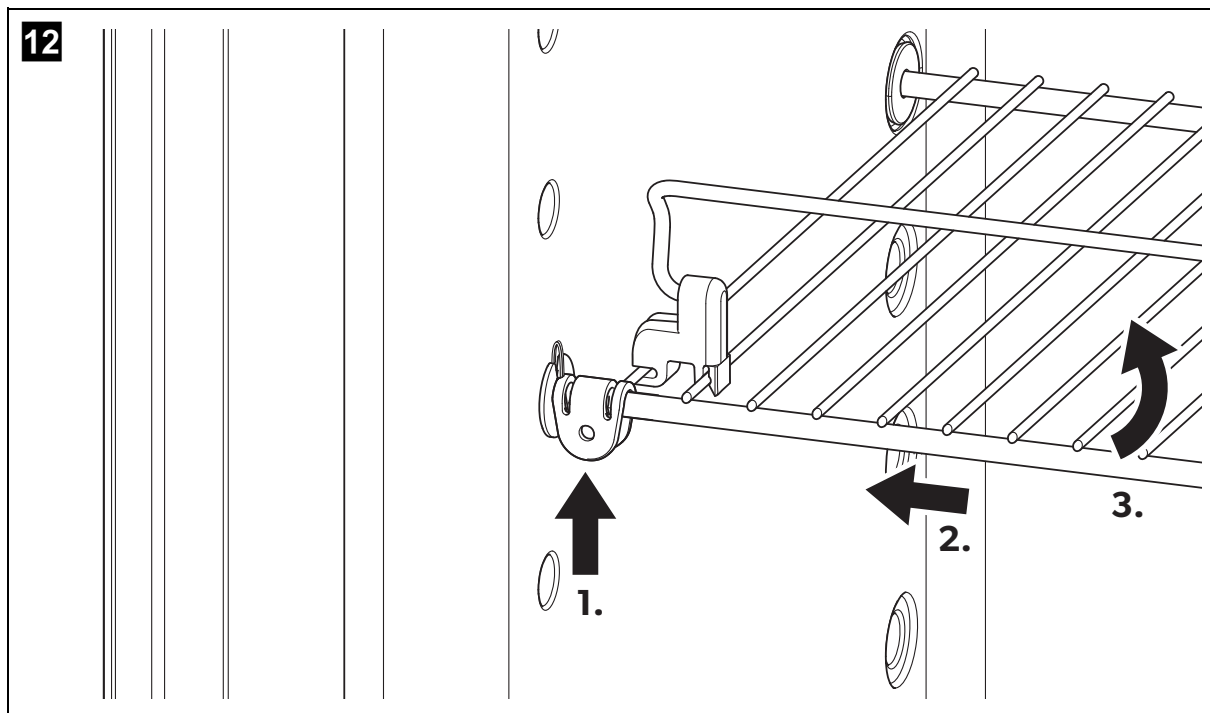
Use the door airing function, if you do not intend to use the refrigerator for a prolonged period of time. This prevents mould from forming when the refrigerator is not in use or put into storage.



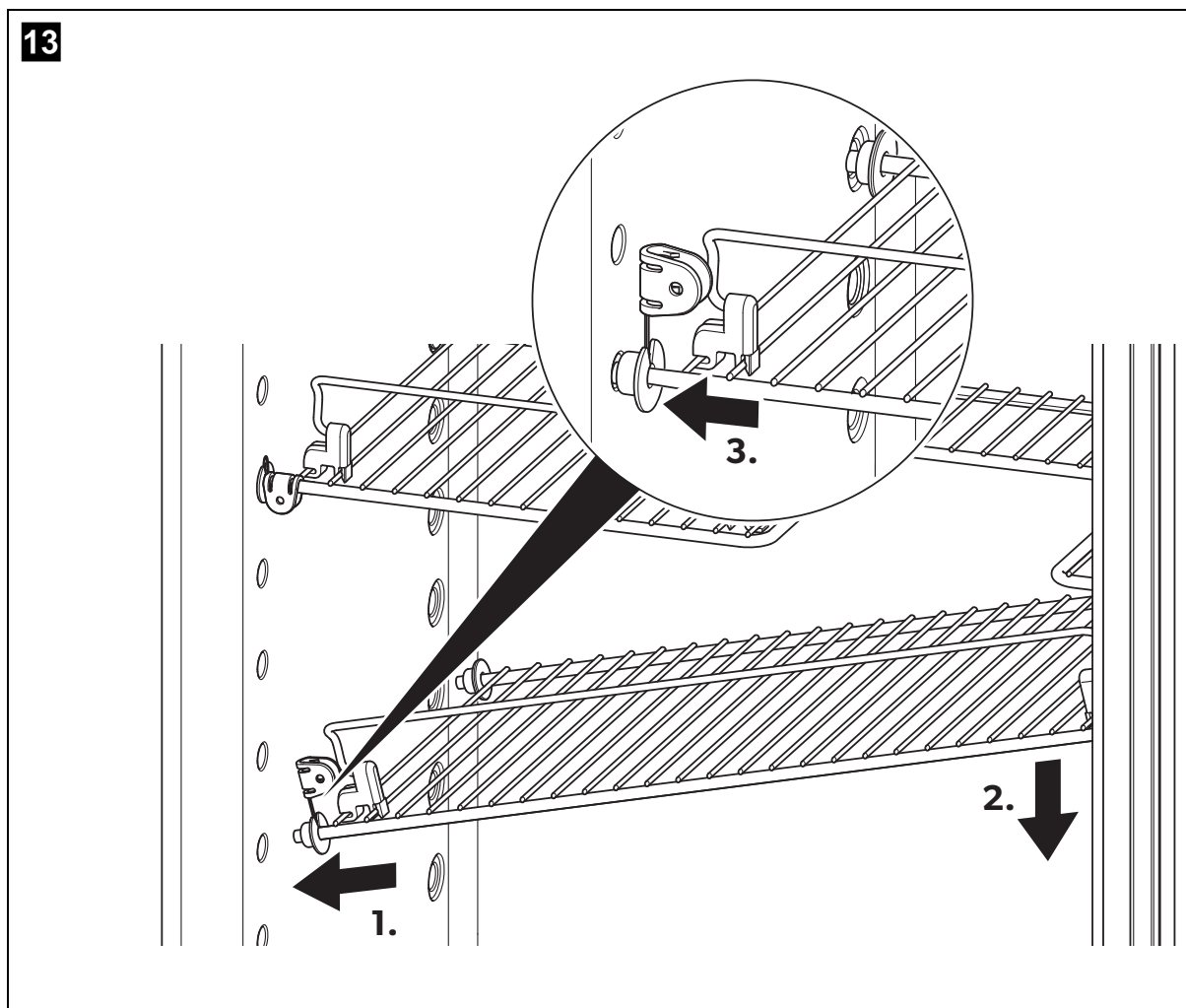
➤ Rotate the locking catch 180° to latch the doors slightly opened (fig. **11**).

7.9 Removing and refitting the shelves

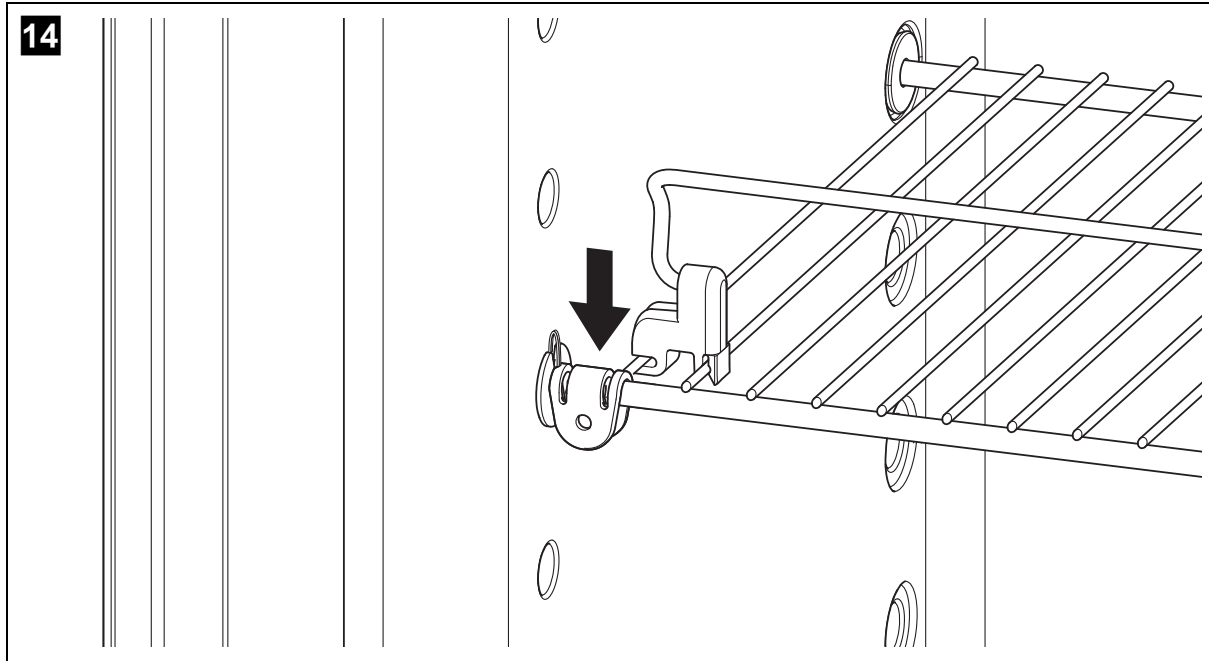
Removing the shelves



- Push the shelf locks off the left end of the wire shelf (1.).
- Slide the shelf to the left until it is clear on the right side (2.).
- Tilt the right end of the shelf up (3.).
- Remove the shelf by pulling it forward.

Refitting the shelves

- Position the shelf in the desired location.
- Insert the ends of the shelf on the left (**1.**).
- Slide the shelf into the holes on the right (**2.**).
- Slide the plastic plugs into the holes in the wall (**3.**).



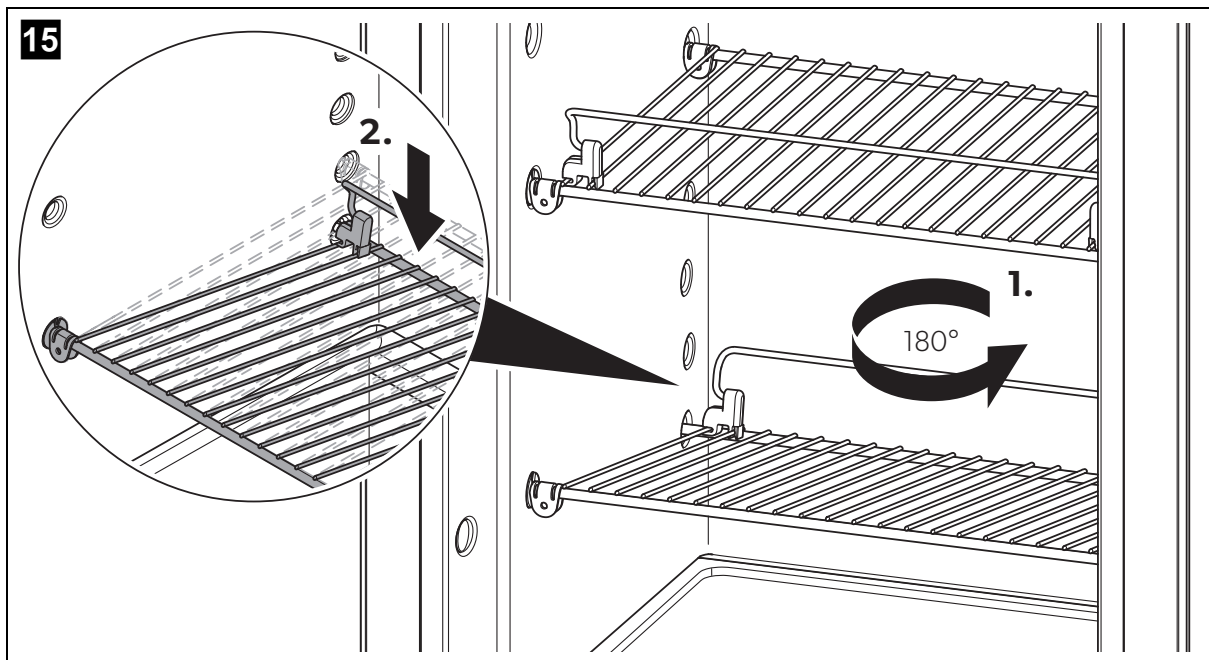
- Snap the shelf locks onto the shelf.

Positioning the bottle shelf



NOTE

The two bottom shelf positions can be fitted into an optional bottle shelf configuration which slopes down toward the rear.



- Remove the shelf and rotate 180 degrees (1.).
- Relocate the rear of the shelf to the bottle shelf position (2.).

7.10 Defrosting the refrigerator



NOTICE!

Never use mechanical tools to remove ice or to loosen objects stuck to the device.



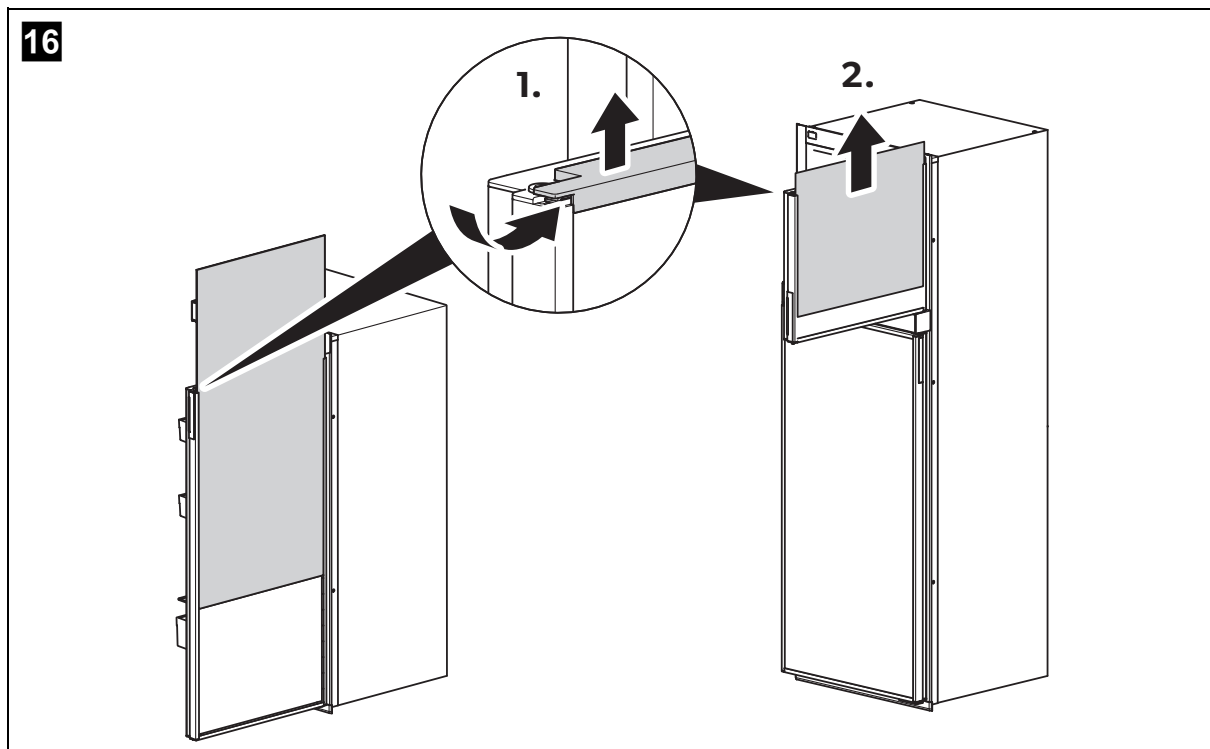
NOTE

- The refrigerator compartment has a cyclic defrost system, which can prevent excessive frost forming on the evaporator fins. However, if the refrigerator is used for extended periods in high humidity and/or high ambient temperature conditions, frost may build up on the evaporator fins. In this case, you should defrost the refrigerator.
- The freezer compartment will require periodic defrosting. If the frost layer is higher than 3 mm, defrost the freezer compartment.

- Disconnect the voltage and gas supply.
- Empty the contents.
- Put a cloth in the freezer compartment and the refrigerator to absorb any excess water.
- Leave the doors open.
- ✓ The condensate drains off through a hose at the back of the refrigerator and is routed outside the vehicle.
- Wipe both compartments dry with a cloth.

7.11 Replacing the door panel

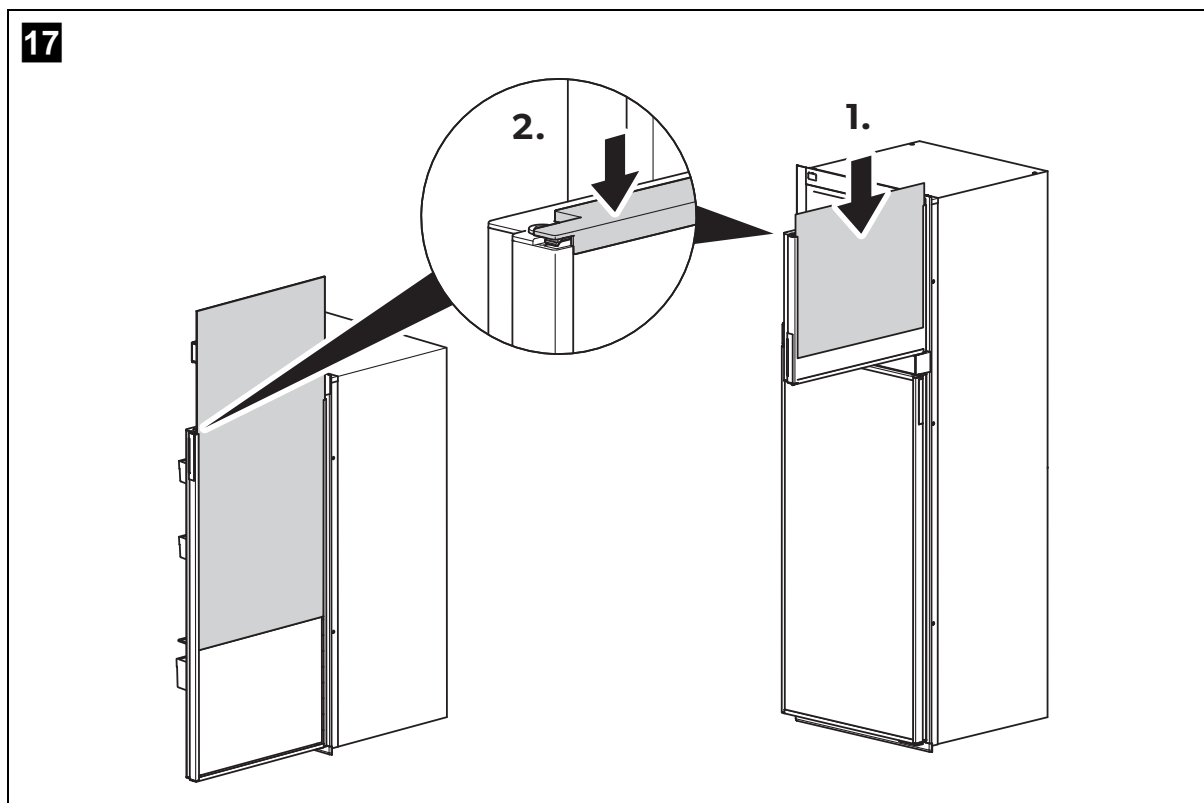
Removing the door panel



Proceed as follows (fig. **16**):

- Open the door 90 degrees.
- Remove the door top decoration strip by gently pushing upward by hand (**1.**).
- Pull the old panel upward (**2.**).

Installing the new door panel



Proceed as follows (fig. **17**):

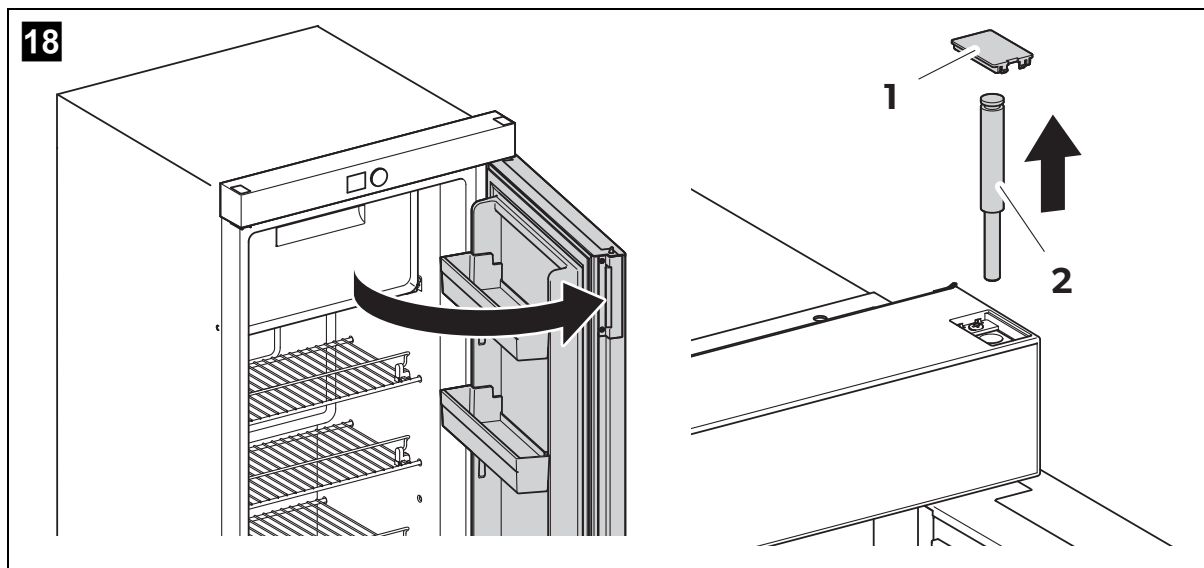
- Push the new panel downwards into the door. Ensure, that the vertical edges fit into the grooves of the door frame (**1.**).
- Push the new panel downwards until the lower horizontal edge of the panel fits into the bottom groove.
- Snap in the decoration strip (**2.**).

7.12 Reversing the door for RUA 5208X

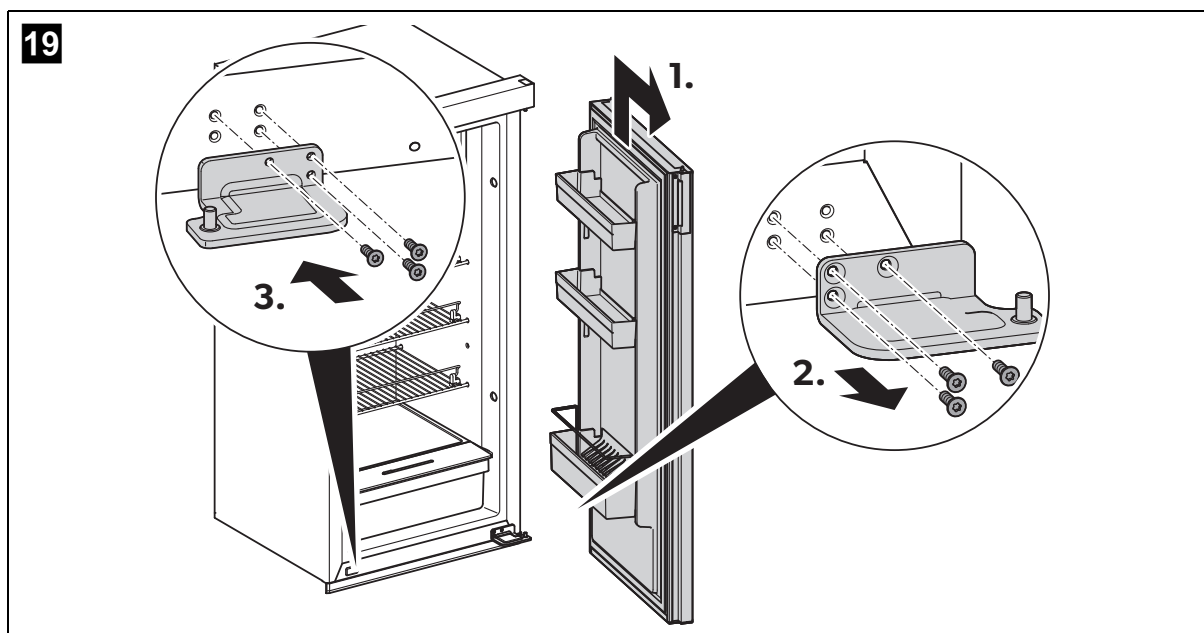


NOTE

For RUA5208X door reversal, an accessory hinge and latch kit is required (not included). Contact your Dometic dealer for details.



- Open the door.
- Remove the top hinge pin cover (fig. **18** 1) using a small blade screwdriver.
- Pull out the top hinge pin (fig. **18** 2) with a pair of pliers.

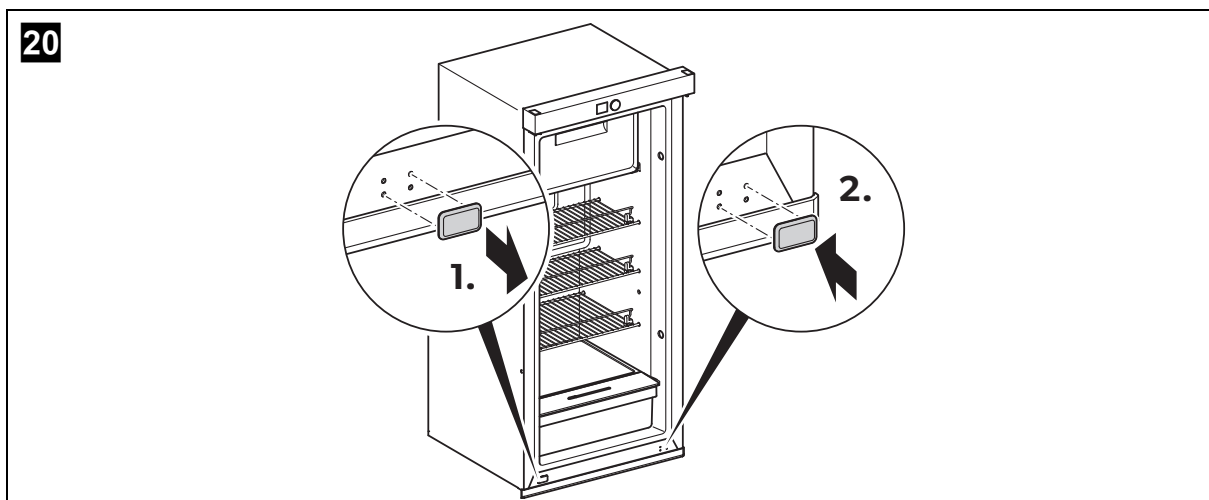


- Remove the refrigerator door by lifting it up until it clears the lower pin (**1.** in fig. **19**).

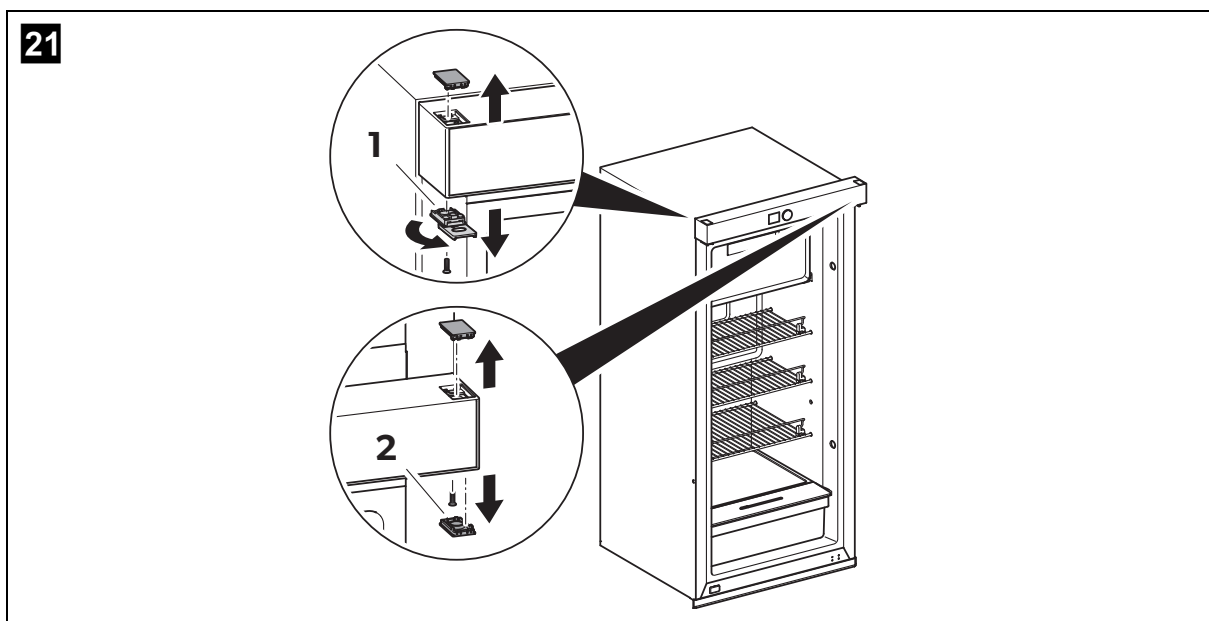
**NOTE**

Carefully lift up the refrigerator door to prevent damaging the door bushing.

- Place the refrigerator door on soft material in order to prevent scratches.
- Remove the three screws from the lower hinge (**2.** in fig. **19**) and discard the old hinge.
- Fix the new lower hinge (not included, see chapter "Accessories" on page 6) to the new position with the three screws (**3.** in fig. **19**).

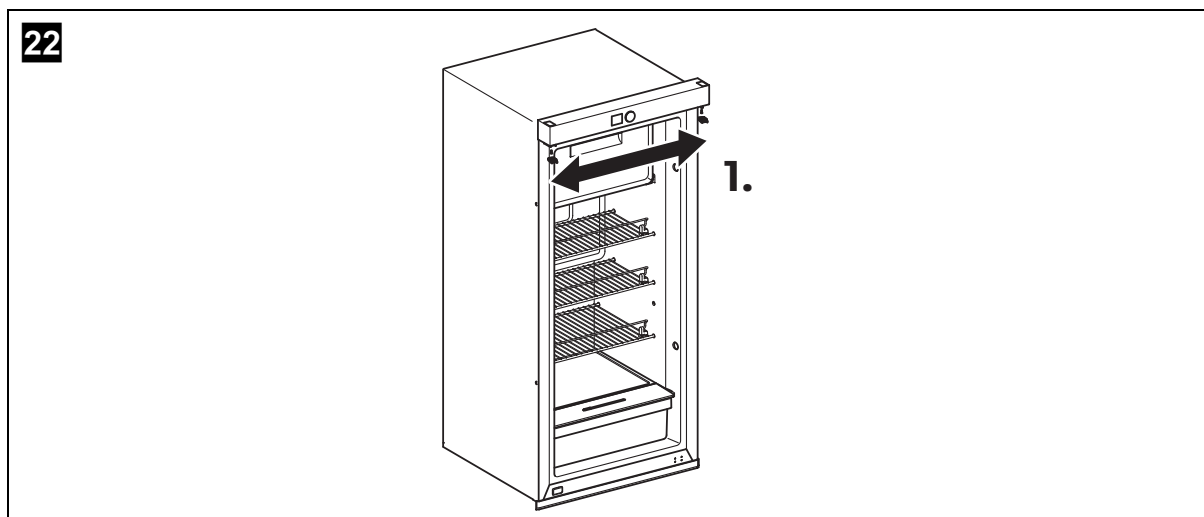


- Remove the cover from the lower hinge point (**1.** in fig. **20**).
- Install the cover on the opposite side (**2.** in fig. **20**).

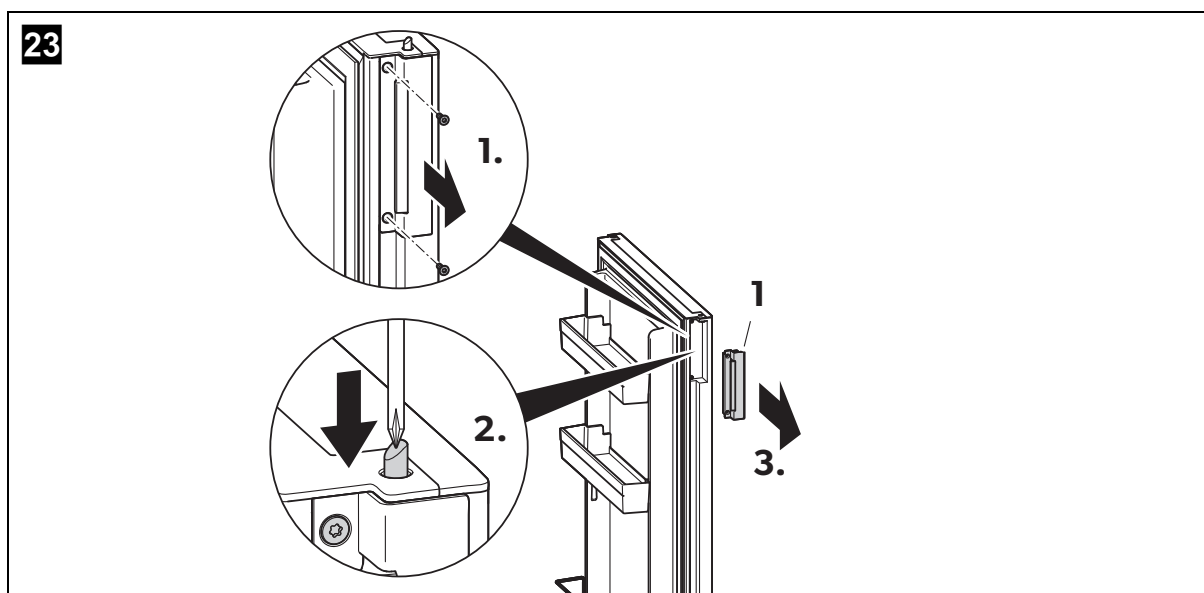


- Rotate the locking catch on the latch side by 180 degrees to expose the fixing screw.

- Remove the locking catch screw (fig. **21** 1).
- Take off the locking catch and top cover (fig. **21** 1).
- Remove the cover and bush on the hinge side with a small screwdriver (fig. **21** 2).
- Remove the screw under the bush on the hinge side.

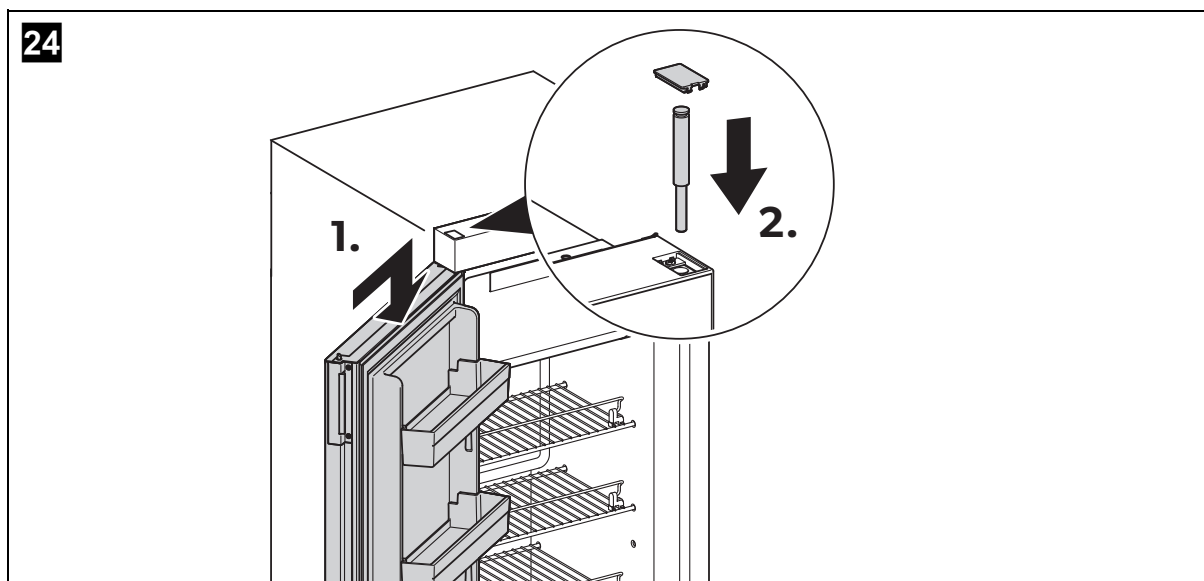


- Exchange the locking catch and the bush and install each of them on the opposite side.



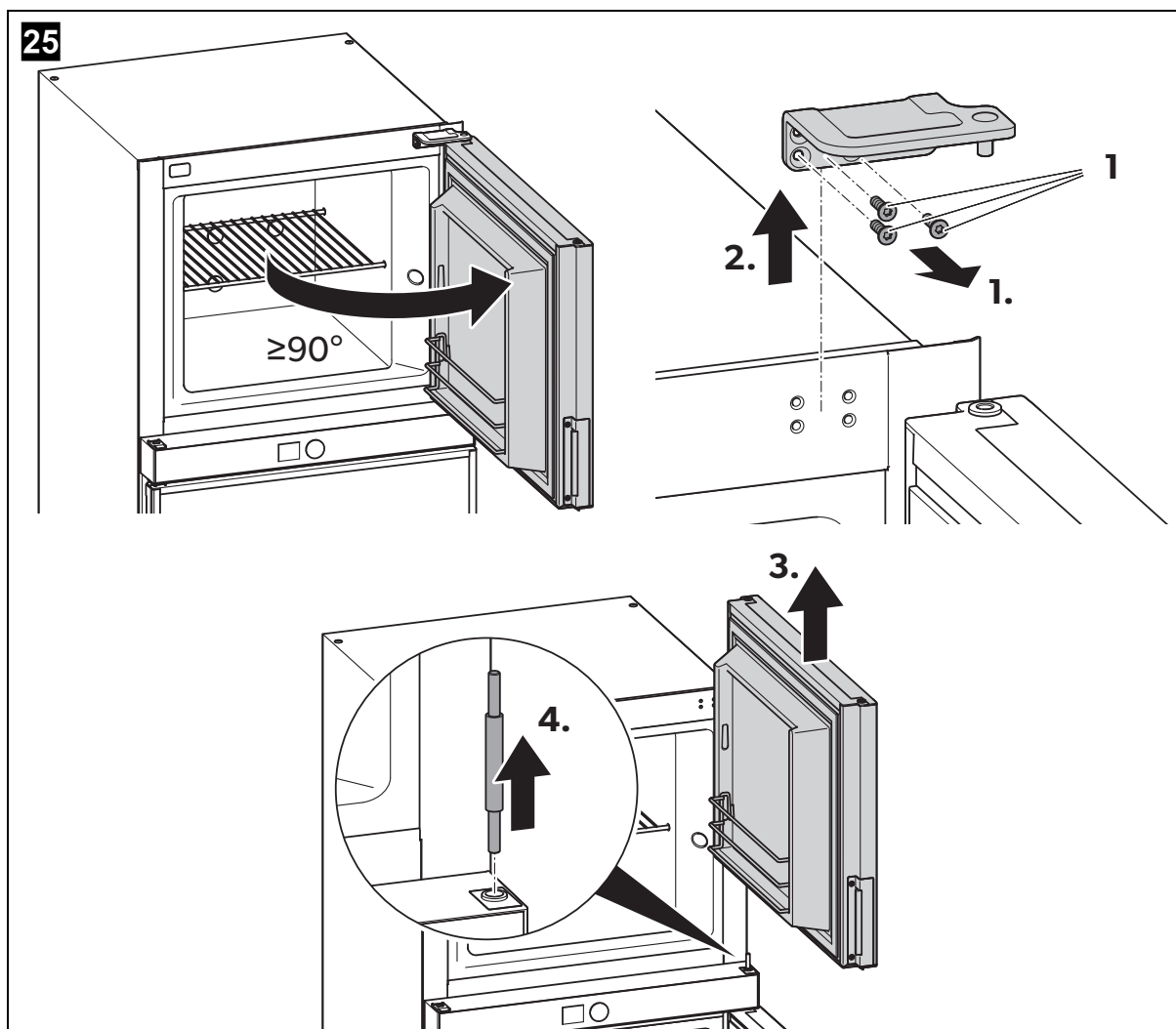
- Remove the two screws (**1.** in fig. **23**) from the latch assembly.
- Push the spring bolt (**2.** in fig. **23**) inwards with a small screwdriver, until the latch assembly (fig. **23** 1) is released.
- Remove the latch assembly (**3.** in fig. **23**) and discard.
- Remove the latch blank from the opposite side of the door.

- Use the latch assembly from the door reversing kit (not included, see chapter "Accessories" on page 6).
- Fit the new latch assembly and the original latch blank to the opposite side.



- Position the refrigerator door on the hinge pin of the newly mounted lower hinge (**1.** in fig. **24**).
- Put the top pin in place (**2.** in fig. **24**).
- Fix the top of the refrigerator door by pushing the top pin into the refrigerator door top bush.
- ✓ The refrigerator door is now fixed.

7.13 Reversing the doors for RUA 6408X, RUA 8408X



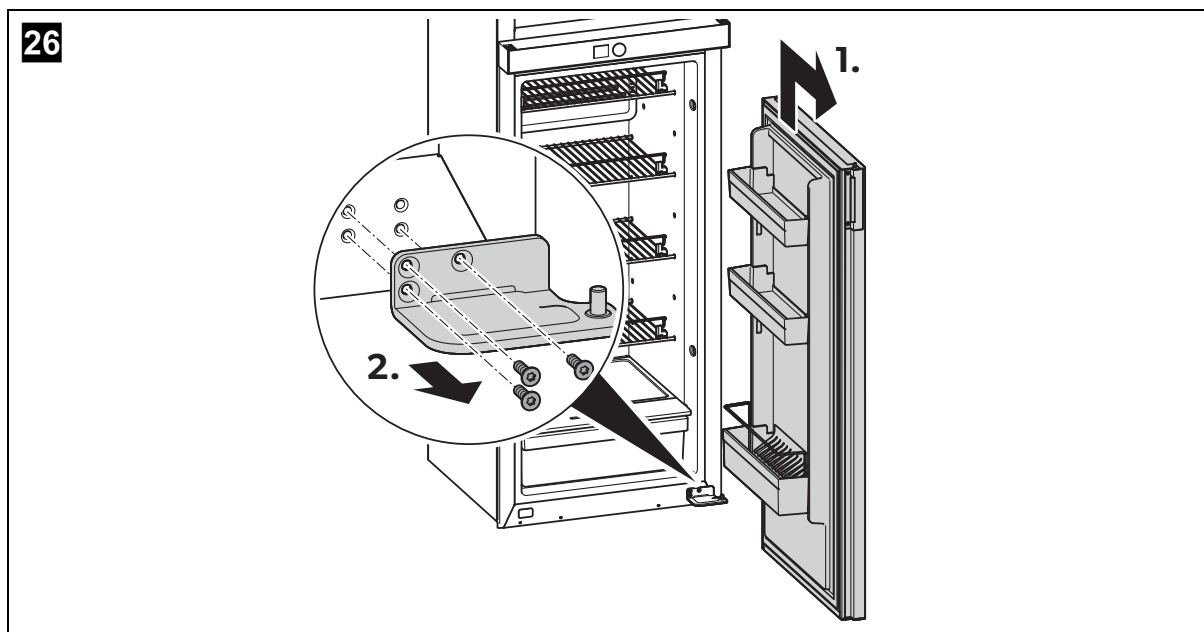
- Open the freezer door more than 90 degrees.
- Remove the three screws (fig. **25** 1) from the upper hinge.
- Pull the upper hinge upwards out of the bushing and away from the freezer door (2. in fig. **25**).
- Remove the freezer door by lifting it up until it clears the centre hinge pin (3. in fig. **25**).



NOTE

Carefully lift up the freezer door to prevent damaging the door bushing.

- Place the freezer door on soft material in order to prevent scratches.
- Support the refrigerator door so that it does not fall off.
- Pull out the centre hinge pin (4. in fig. **25**).

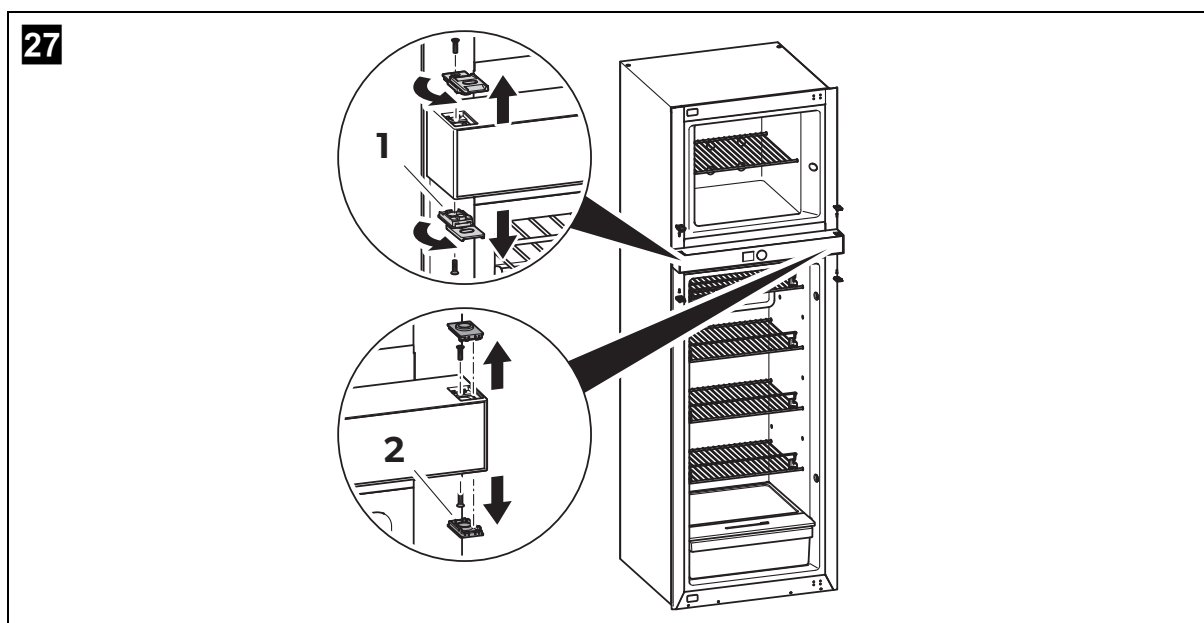


- Remove the refrigerator door by lifting it up until it clears the lower pin (**1.** in fig. **26**).

**NOTE**

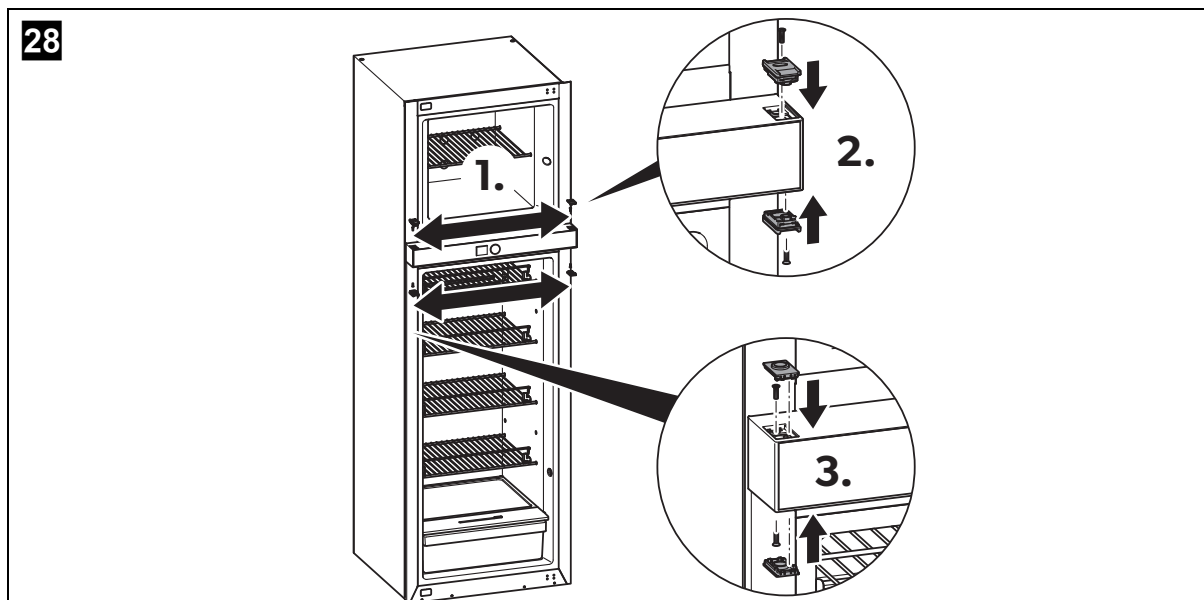
Carefully lift up the refrigerator door to prevent damaging the door bushing.

- Place the refrigerator door on soft material in order to prevent scratches.
- Remove the three screws from the lower hinge (**2.** in fig. **26**).

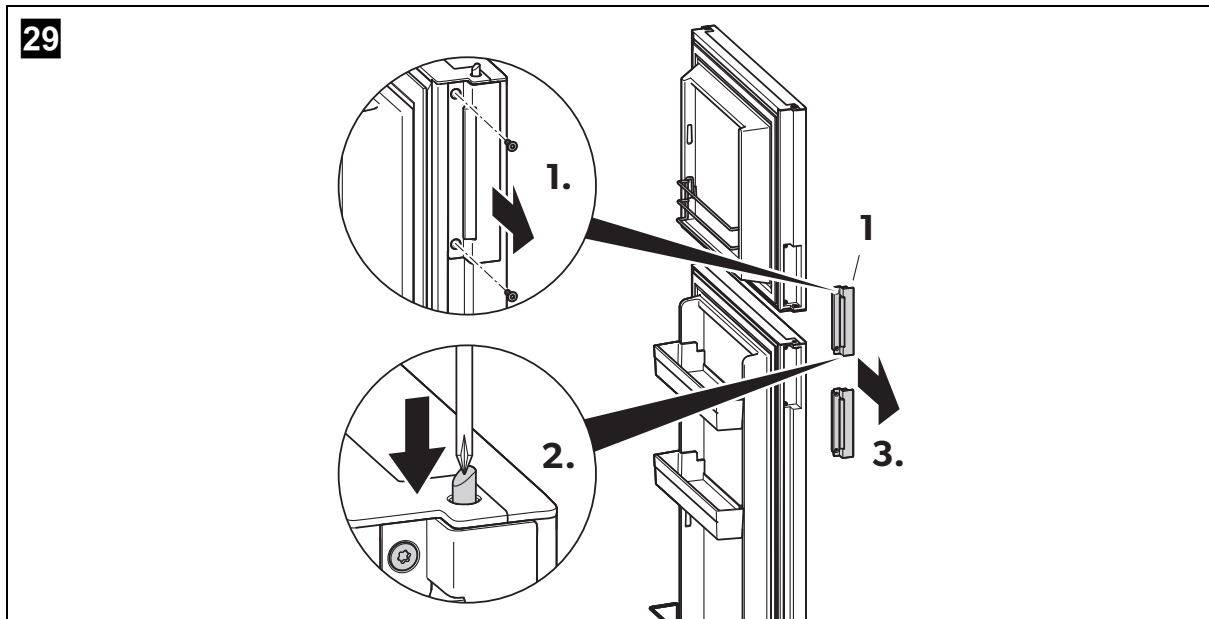


- Rotate the locking catches on the latch side by 180 degrees to expose the fixing screws.

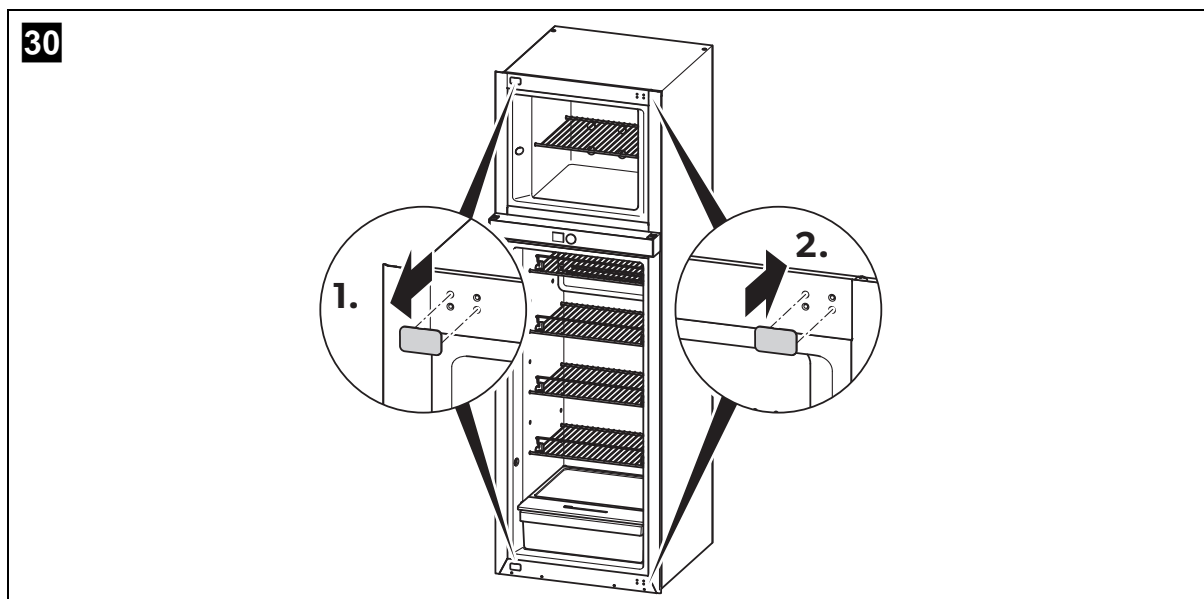
- Remove the locking catch screws (fig. **27** 1).
- Take off the locking catches (fig. **27** 1).
- Remove the hinge bushes on the hinge side with a small screwdriver (fig. **27** 2).
- Remove the screws under the hinge bushes on the hinge side.



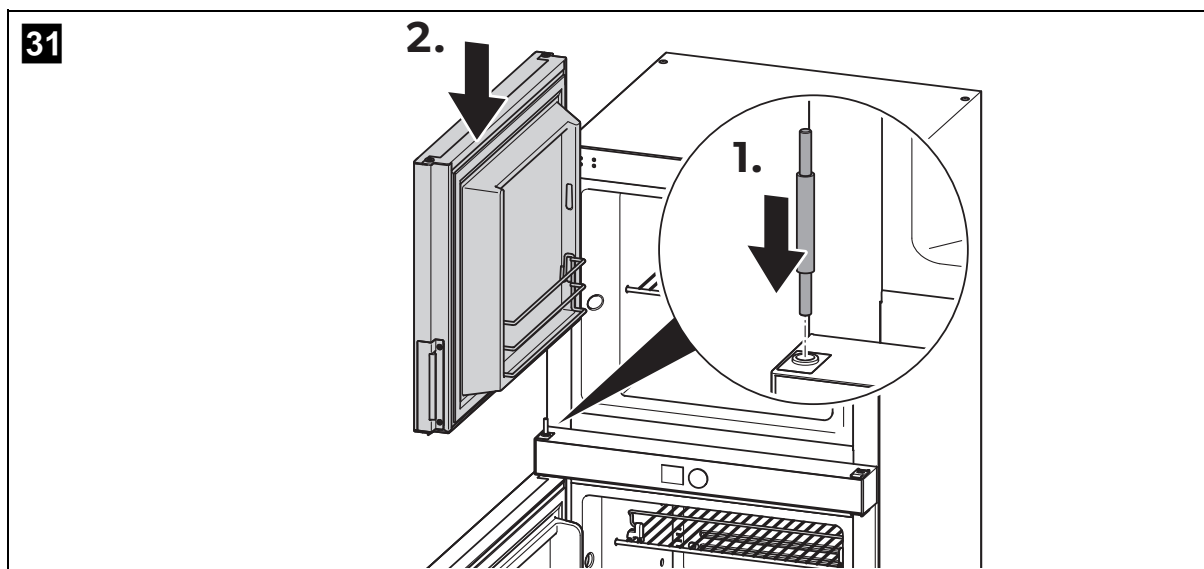
- Secure the screws underneath the bushes on the opposite side before the covers are installed (**3.** in fig. **28**).
- Exchange the locking catches and the bushes and install each of them on the opposite side.



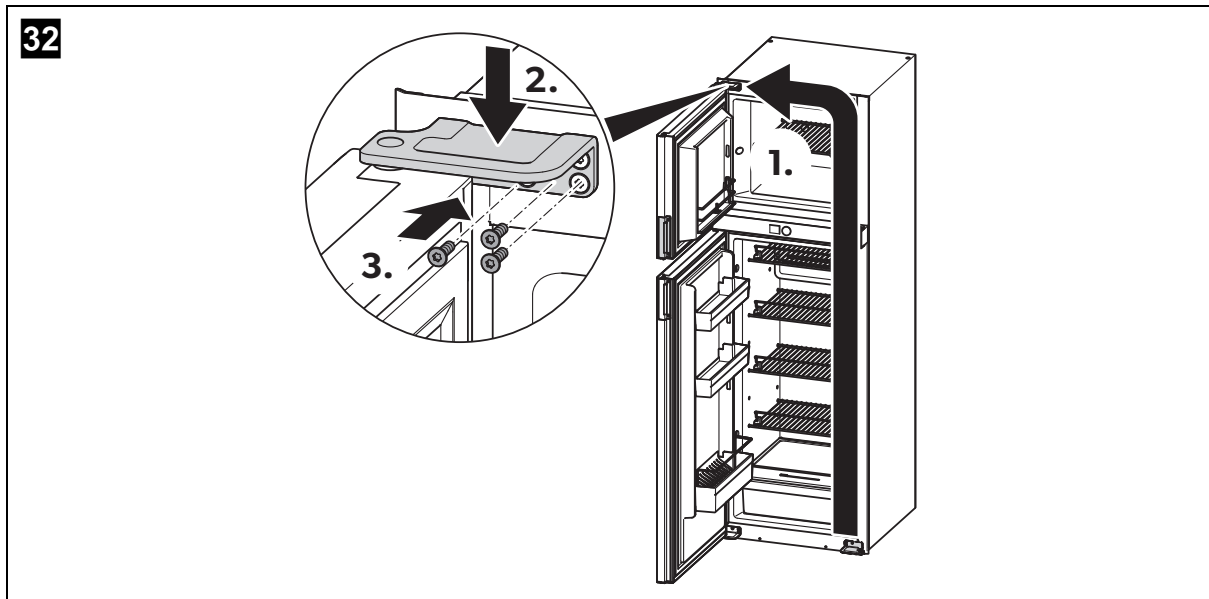
- Remove the two screws (**1.** in fig. **29**) from the latch assembly on both doors.
- Push the spring bolt (**2.** in fig. **29**) inwards with a small screwdriver, until the latch assembly (fig. **29** 1) is released.
- Remove the latch assembly (**3.** in fig. **29**) from both doors.
- Remove the latch blanks from the opposite side of both doors.
- The original freezer and refrigerator door latch assemblies swap to the opposite door due to the spring bolt function.
- Relocate the door hinge bush to the opposite side.
- Exchange the latch assemblies and latch blanks and install each of them on the opposite side.



- Remove the covers from the upper and lower hinge points (**1.** in fig. **30**).
- Install the covers on the opposite side (**2.** in fig. **30**).
- Turn the former upper hinge 180 degrees and mount it to the new lower hinge position with the three screws.
- Position the refrigerator door on the hinge pin of the newly mounted lower hinge.



- Put the middle pin in place (**1.** in fig. **31**).
- Fix the top of the refrigerator door by pushing the middle pin into the refrigerator door top bush.
- ✓ The refrigerator door is now fixed.
- Position the freezer door on the middle pin (**2.** in fig. **31**, page 32).



- Turn the former lower hinge 180 degrees and hold it in the new upper hinge position. Take care that the hinge pin fits into the upper bushing of the freezer door (1. and 2. in fig. 32).
- Fix the hinge with the three screws (3. in fig. 32). To do so, open the freezer door by at least 90 degrees.
- ✓ The freezer door is now fixed.

8 Cleaning and maintenance



WARNING!

- Always disconnect the refrigerator from the AC and DC power supply and turn off the gas before you clean and service it.
- Working on gas and electrical installations may only be performed by qualified technicians.



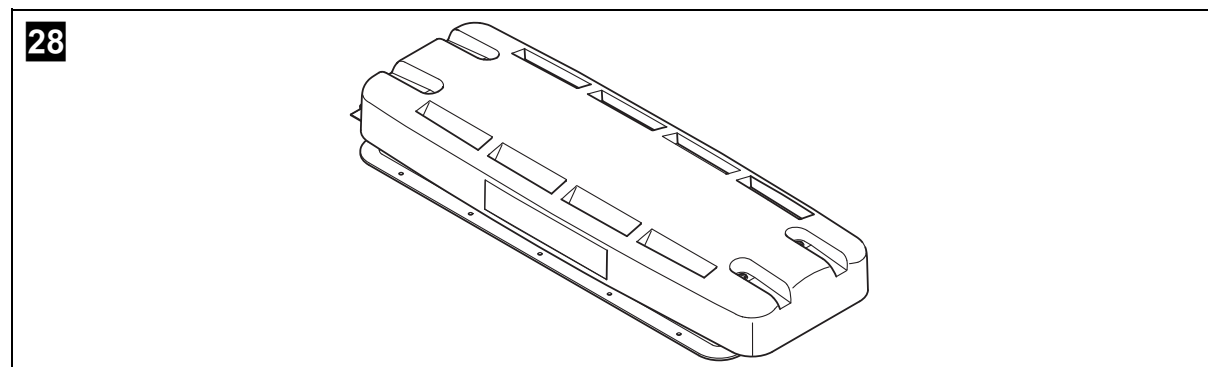
NOTICE!

- Do not use abrasive cleaning agents or hard objects during cleaning as these can damage the refrigerator.
- Never use hard or sharp tools to remove ice or to free objects frozen onto the device.
- Do not use any mechanical tools or any other tools to speed up the defrosting process.

**NOTE**

Have the refrigerator checked if the vehicle has not been used for a long time. To do this, contact the customer service.

- Clean the refrigerator regularly and as soon as it becomes dirty with a damp cloth.
- Make sure that no water drips into the controls. This can damage the electronics.
- Wipe the refrigerator dry with a cloth after cleaning.
- Check the condensate drain regularly.
Clean the condensate drain when necessary. If it is blocked the condensate collects on the bottom of the refrigerator.



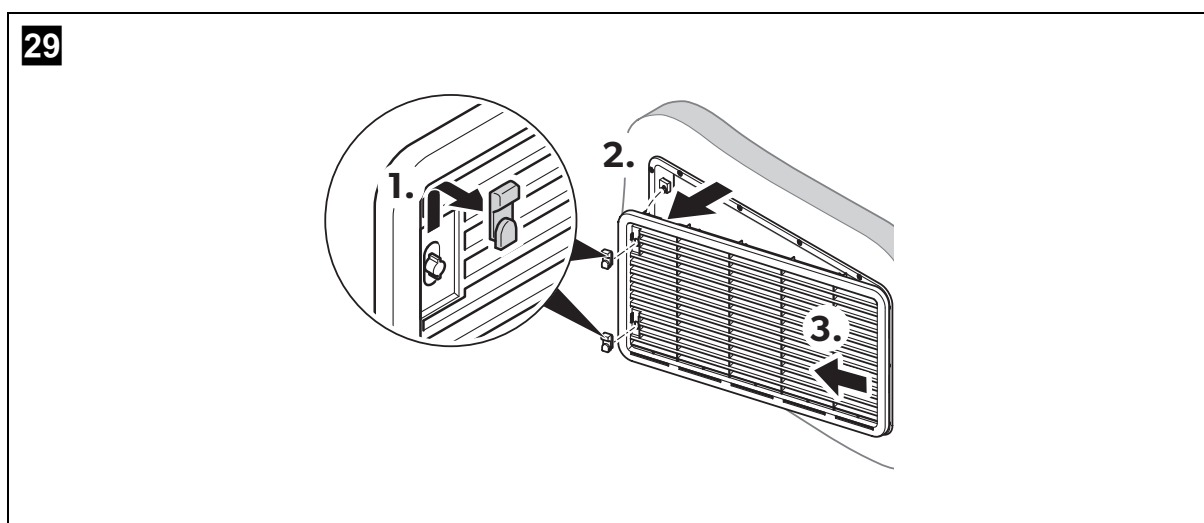
- Make sure that the ventilation grille in the outer wall of the caravan or mobile home and the roof vent (fig. 28) of the refrigerator are free of any dust and dirt, so that heat generated during operation can be discharged and the refrigerator is not damaged.
- Have the gas system and connected flues inspected before initial operation and then periodically as required by an authorised professional to ensure they comply with national safety requirements.
- The gas burner can be cleaned of impurities whenever necessary. Vermin infestation is possible after extended periods without using gas operation. Yearly inspection of the burner is suggested.
- Keep a record of any maintenance performed in the vehicle.

8.1 Cleaning the gas burner

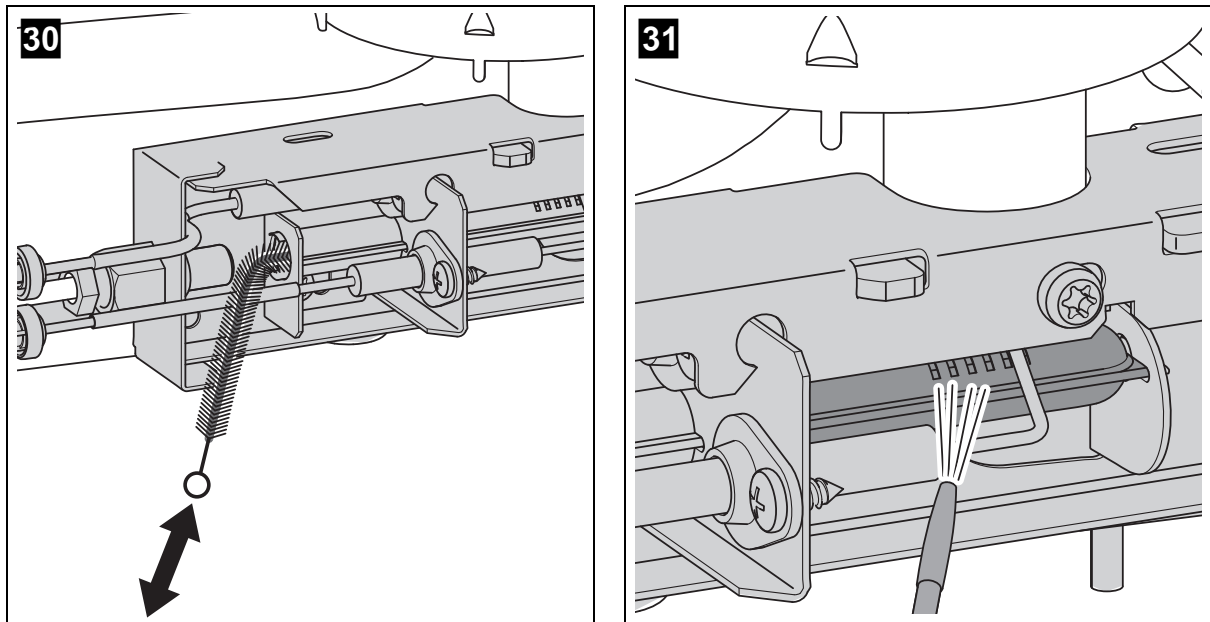


WARNING!

- Disconnect the AC and DC power supply.
- Close the gas valve to the refrigerator before cleaning the gas burner.
- Allow the burner to cool down before cleaning it.
- Do not modify the gas equipment. The gas burner can be cleaned without removing the gas equipment.



- Remove the ventilation grille (fig. **29**).



- Loosen the screw on the gas burner cover.
- Press the catch below the burner cover inwards, and pull off the burner cover.
- Clean the burner pipe of coarse impurities using a suitable cleaning brush with soft bristles (fig. 30).
- Blow out the burner pipe with compressed air through the slots in the burner pipe (fig. 31).
- Attach the burner cover.
- ✓ The burner cover is fixed in place when it audibly clicks into place.
- Screw the burner cover in place.
- Attach the ventilation grille.

9 Troubleshooting

Problem	Possible cause	Suggested remedy
With AC operation: The refrigerator does not work.	The fuse in the AC mains is defective.	Replace the fuse.
	The vehicle is not connected to the AC mains.	Connect the vehicle to the AC mains.
	The AC heating element is defective.	Contact the authorised customer service.
With DC operation: The refrigerator does not work.	The fuse in the DC supply is defective.	Replace the fuse.
	The vehicle fuse has blown.	Replace the vehicle fuse in the DC socket (usually 15 A) (Please refer to the operating manual of your vehicle).
	The vehicle battery is discharged.	Test the battery and charge it.
	The vehicle ignition switch is not turned on.	Switch on the vehicle ignition switch.
	The DC heating element is defective.	Contact the authorised customer service.
With gas operation: The refrigerator does not work.	The gas cylinder is empty.	Replace the gas cylinder.
	The gas valve is closed.	Twist the valve open.
	Air is in the supply line.	Switch the refrigerator off and on again. Repeat the procedure three or four times if necessary.
In automatic mode: The refrigerator is being operated with gas although it is connected to the AC mains.	The mains voltage is too low.	The refrigerator changes to AC power supply automatically as soon as the mains voltage is sufficient again.

Problem	Possible cause	Suggested remedy
The refrigerator does not cool sufficiently.	The ventilation around the cooling unit is not sufficient.	Check that the ventilation grille is not obstructed.
	The evaporator is iced up.	Check whether the refrigerator door is properly closed. Defrost the refrigerator.
	The temperature is set too high.	Set a lower temperature.
	The ambient temperature is too high.	Remove the ventilation grille for a while so that warm air can escape quicker.
	Too much food at once was placed in the refrigerator.	Remove an item.
	Too much warm food at once was placed in the refrigerator.	Remove the warm food and leave it to cool down before putting it in again.
	The refrigerator has not been operating for very long.	Check the temperature again after four or five hours.

Faults and beeps

Faults are indicated on the display by highlighting the middle section with a red banner and a code. The faults that terminate the complete cooling function are displayed on the screen in combination with a beep.

In case of multiple faults, the last fault is shown on the display. Underlying faults are shown after the last fault is acknowledged.

The beep will last for 2 minutes and repeat every 30 minutes until the fault is restored. Error type faults must be manually reset by pressing and holding the control knob between 2 s and 4 s. Warning type faults reset automatically once the condition passes.

Code	Fault	Type	Icon	Beep	Response of the device
01	Thermostat sensor error	Warning	No flashing	No	Cooling operation is continued with 45 minutes ON and 15 minutes OFF cycle.
03	No communication between power module and display	Error	No flashing	No	Operation is continued at latest stored settings.
05	AC voltage under 190 V	Warning	Flashing	No	–
06	DC relay not connected	Warning	Flashing	No	–
07	No performance, Gas	Error	No flashing	Yes	Cooling function is terminated.
08	No performance, AC	Error	No flashing	Yes	Cooling function is terminated.
09	No performance, DC	Error	No flashing	Yes	Cooling function is terminated.
10	Open fridge door > 2 minutes	Warning	Flashing	Yes	Audio alarm is terminated when door is closed.
11	DC voltage over 16 V	Warning	No flashing	No	–
12	Gas valve test	Error	No flashing	No	Gas operation is locked.
13	Faulty dynamic valve signal	Error	No flashing	No	Gas operation is locked.
14	Inner fan faulty	Warning	No flashing	No	Cooling operation is continued with a fixed thermostat setting. Cut-in: +1 °C Cut-out: –15 °C
15	Frame heater, low current	Warning	No flashing	No	–

Code	Fault	Type	Icon	Beep	Response of the device
16	Frame heater, high current	Error	No flashing	No	Heater is turned off.
17	Defrost heater, low current	Warning	No flashing	No	–
18	Defrost heater, high current	Error	No flashing	No	Heater is turned off.
22	DC voltage under 10 V	Warning	No flashing	No	–
24	Display element suffer from poor grounding	Warning	No flashing	No	–
50	Gas lock out, three attempts	Error	Flashing	No	Gas operation is locked.
51	Gas lock out	Error	Flashing	No	Gas operation is locked.
52	Gas valve short	Error	Flashing	No	Gas operation is locked.
53	Ignition electrode short	Error	Flashing	No	Gas operation is locked.

10 Warranty

The statutory warranty period applies. If the product is defective, please contact the manufacturer's branch in your country (see the back of the instruction manual for the addresses) or your retailer.

For repair and warranty processing, please include the following documents when you send in the device:

- A copy of the receipt with purchasing date
- A reason for the claim or description of the fault

11 Disposal



WARNING! Children beware!

Before disposing of your old refrigerator:



- Remove all doors.
- Dismantle the drawers.
- Leave the shelves in the refrigerator so that children cannot climb inside.

- Place the packaging material in the appropriate recycling waste bins wherever possible.



If you wish to finally dispose of the product, ask your local recycling centre or specialist dealer for details about how to do this in accordance with the applicable disposal regulations.

12 Technical data

	RUA 5208X	RUA 6408X	RUA 8408X
Gross volume:	161 l	188 l	224 l
Fridge storage volume:	140 l	134 l	170 l
Freezer storage volume:	13 l	46 l	46 l
Voltage:	230 to 240 V~ / 50 to 60 Hz 12 V===		
Power input:	195 W (240 V~) 175 W (12 V===)	325 W (240 V~) 275 W (12 V===)	
Power consumption:	240 V~ : 3.9 kWh/24 h 12 V===: 346 Ah/24 h	240 V~ : 5.0 kWh/24 h 12 V===: 400 Ah/24 h	240 V~ : 5.8 kWh/24 h 12 V===: 420 Ah/24 h
Gas consumption:	380 g/24 h	500 g/24 h	500 g/24 h
Climatic class:	T		
Dimensions (in mm)			
Width x Height			
– without flange:	525 x 1178	525 x 1434	525 x 1644
– with flange:	550 x 1191	550 x 1447	550 x 1657
Depth (in mm)			
– overall (excludes control knob 5 mm):	677	677	677
– from flange rear face:	611	611	611
Weight:	49 kg	60 kg	64 kg
Inspection/certification:	 		



NOTE

The power and gas consumptions are measured at 32 °C ambient temperature with 3 °C average cooling temperature in the refrigerator compartment.

AUSTRALIA**Dometic Australia Pty. Ltd.**

1 John Duncan Court · Varsity Lakes QLD 4227

☎ 1800 212121 · 📠 +61 7 55076001

Mail: sales@dometic.com.au

dometic.com**AUSTRIA****Dometic Austria GmbH**

Neudorferstraße 108

A-2353 Guntramsdorf

☎ +43 2236 908070

📠 +43 2236 90807060

Mail: info@dometic.at

BENELUX**Dometic Branch Office Belgium**

Lourdesstraat 84

B-8940 Geluwe

☎ +32 2 3598040

📠 +32 2 3598050

Mail: info@dometic.be

DENMARK**Dometic Denmark A/S**

Nordensvej 15, Taulov

DK-7000 Fredericia

☎ +45 75585966

📠 +45 75586307

Mail: info@dometic.dk

FINLAND**Dometic Finland OY**

Mestarintie 4

FIN-01730 Vantaa

☎ +358 20 7413220

Mail: info@dometic.fi

FRANCE**Dometic SAS**

ZA du Pré de la Dame Jeanne

B.P. 5

F-60128 Plailly

☎ +33 3 44633525

📠 +33 3 44633518

Mail: vehiculesdeloisirs@dometic.fr

GERMANY**Dometic WAECO International GmbH**

Hollefeldstraße 63 · D-48282 Emsdetten

☎ +49 (0) 2572 879-0

📠 +49 (0) 2572 879-300

Mail: info@dometic-waeco.de

HONG KONG**Dometic Group Asia Pacific**

Suites 2207-11 · 22/F · Tower 1

The Gateway · 25 Canton Road,

Tsim Sha Tsui · Kowloon

☎ +852 2 4611386

📠 +852 2 4665553

Mail: info@waeco.com.hk

HUNGARY**Dometic Zrt. Sales Office**

Kerékgyártó u. 5.

H-1147 Budapest

☎ +36 1 468 4400

📠 +36 1 468 4401

Mail: budapest@dometic.hu

ITALY**Dometic Italy S.r.l.**

Via Virgilio, 3

I-47122 Forlì (FC)

☎ +39 0543 754901

📠 +39 0543 754983

Mail: vendite@dometic.it

JAPAN**Dometic KK**

Maekawa-Shibaura, Bldg. 2

2-13-9 Shibaura Minato-ku

Tokyo 108-0023

☎ +81 3 5445 3333

📠 +81 3 5445 3339

Mail: info@dometic.jp

MEXICO**Dometic Mx, S. de R. L. de C. V.**

Circuito Médicos No. 6 Local 1

Colonia Ciudad Satélite

CP 53100 Naucalpan de Juárez

Estado de México

☎ +52 55 5374 4108

📠 +52 55 5393 4683

Mail: info@dometic.com.mx

NETHERLANDS**Dometic Benelux B.V.**

Ecustraat 3

NL-4879 NP Etten-Leur

☎ +31 76 5029000

📠 +31 76 5029019

Mail: info@dometic.nl

NEW ZEALAND**Dometic New Zealand Ltd.**

PO Box 12011

Penrose

Auckland 1642

☎ +64 9 622 1490

📠 +64 9 622 1573

Mail: customerservices@dometic.co.nz

NORWAY**Dometic Norway AS**

Østerøyveien 46

N-3232 Sandefjord

☎ +47 33428450

📠 +47 33428459

Mail: firmapost@dometic.no

POLAND**Dometic Poland Sp. z o.o.**

Ul. Puławska 435A

PL-02-801 Warszawa

☎ +48 22 414 3200

📠 +48 22 414 3201

Mail: info@dometic.pl

PORTUGAL**Dometic Spain, S.L.**

Branch Office em Portugal

Rot. de São Gonçalo nº 1 – Esc. 12

2775-399 Carcavelos

☎ +351 219 244 173

📠 +351 219 243 206

Mail: info@dometic.pt

RUSSIA**Dometic RUS LLC**

Komsomolskaya square 6-1

RU-107140 Moscow

☎ +7 495 780 79 39

📠 +7 495 916 56 53

Mail: info@dometic.ru

SINGAPORE**Dometic Pte Ltd**

18 Boon Lay Way

06-141 Trade Hub 21

Singapore 609966

☎ +65 6795 3177

📠 +65 6862 6620

Mail: dometic@dometic.com.sg

SLOVAKIA**Dometic Slovakia s.r.o.**

Sales Office Bratislava

Nádražná 34/A

900 28 Ivránka pri Dunaji

☎/📠 +421 2 45 529 680

Mail: bratislava@dometic.com

SOUTH AFRICA**Dometic (Pty) Ltd.**

Regional Office

South Africa & Sub-Saharan Africa

2 Avalon Road

West Lake View Ext 11

Modderfontein 1645

Johannesburg

☎ +27 87 3530380

Mail: info@dometic.co.za

SPAIN**Dometic Spain S.L.**

Avda. Sierra del Guadarrama, 16

E-28691 Villanueva de la Cañada

Madrid

☎ +34 902 111 042

📠 +34 900 100 245

Mail: info@dometic.es

SWEDEN**Dometic Scandinavia AB**

Gustaf Melins gata 7

SE-42131 Västra Frölunda

☎ +46 31 7341100

📠 +46 31 7341101

Mail: info@dometicgroup.se

SWITZERLAND**Dometic Switzerland AG**

Riedackerstrasse 7a

CH-8153 Rümlang

☎ +41 44 8187171

📠 +41 44 8187191

Mail: info@dometic.ch

UNITED ARAB EMIRATES**Dometic Middle East FZCO**

P. O. Box 17860

S-D 6, Jebel Ali Freezone

Dubai

☎ +971 4 883 3858

📠 +971 4 883 3868

Mail: info@dometic.ae

UNITED KINGDOM**Dometic UK Ltd.**

Dometic House, The Brewery

Blandford St. Mary

Dorset DT11 9LS

☎ +44 344 626 0133

📠 +44 344 626 0143

Mail: customerservices@dometic.co.uk

USA**Dometic RV Division**

1120 North Main Street

Elkhart, IN 46515

☎ +1 574-264-2131

4445102445 12/2018